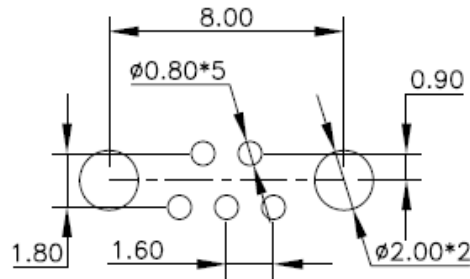
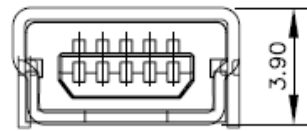
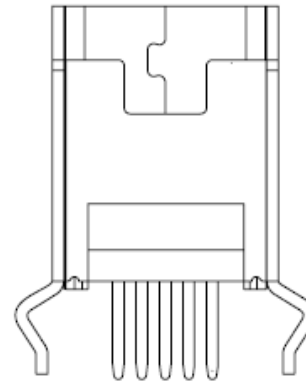
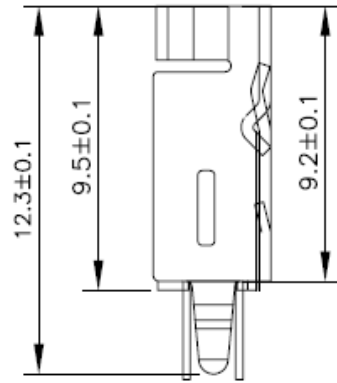
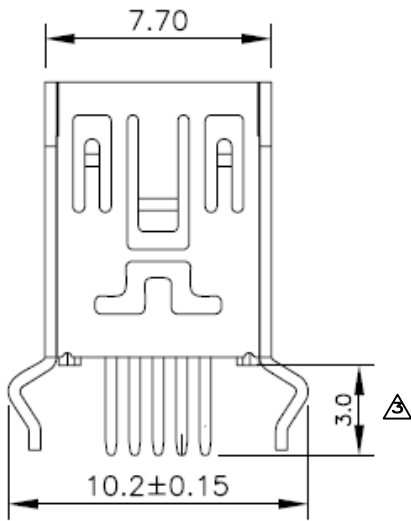


SIGN	DATE	DESCRIPTION	APPROVER
2	2012.10.03	USB 2.0 detail added	SHIN
3	2018.01.10	Updated dimensions	SHIN

THIS IS CAD DRAWING, DO NOT REVISE MANUALLY!!!



Recommended PCB Layout

Material

- Insulator: PBT
- Flammability: UL94V-0
- Contacts: Phosphor Bronze
- Contact Plating: See options
- Shell: Brass
- Shell Plating: 100u" Min. Tin over 40u" Nickel

Ratings

- Current: 1.5A
- Voltage: 5.0V
- Dielectric Voltage: 100V AC
- Contact Resistance: <50mΩ
- Insulation Resistance: >100MΩ
- Mating Force: <3.57 kgf
- Unmating Force: >0.71 kgf
- Temperature Range: -40 - +85°

RoHS Compliant

PART NUMBER:  
**USB-MVBFXX**

Color  
W - white  
B - black

PLATING:  
6: Selective Gold Flash (Std.)  
8: Selective 30u" Gold



THESE DRAWINGS AND SPECIFICATIONS ARE THE PROPERTY OF ON-SHORE TECHNOLOGY, INC. AND SHALL NOT BE REPRODUCED, COPIED OR USED IN ANY MANNER WITHOUT THE PRIOR WRITTEN CONSENT OF ON-SHORE TECHNOLOGY, INC.

TITLE		USB - Mini 5 Circuits, female, vertical mount		
PART NO.	USB-MVBFXX	DWG NO.	USB-MVBFXX.DWG	
APPROVED	CHECKED	DESIGNED	DRAWN	3471
Steven 2010.06.08	Marvin 2010.06.08	Marvin 2010.06.08	Marvin 2010.06.08	Tolerance
				UNIT: mm
				SCALE: NONE
				X* ±1°
				X.X ±0.38
				X.XX ±0.25
				X.XXX ±0.13
SHEET: 01/01				REV: B