

SIGN	DATE	DESCRIPTION	APPROVER
△	2012.10.03	USB 2.0 detail added	SHIN

THIS IS CAD DRAWING, DO NOT REVISE MANUALLY!!!

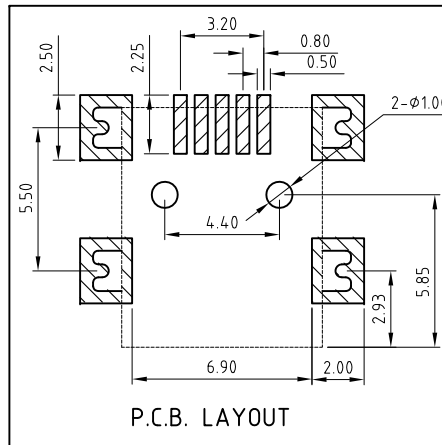
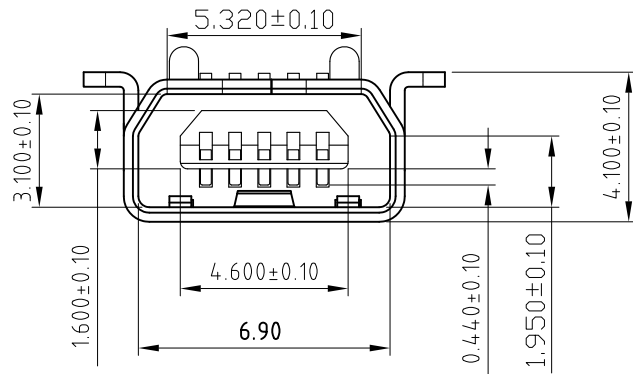
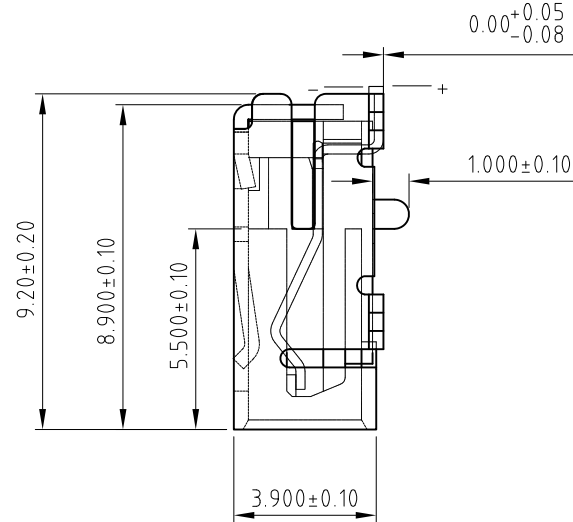
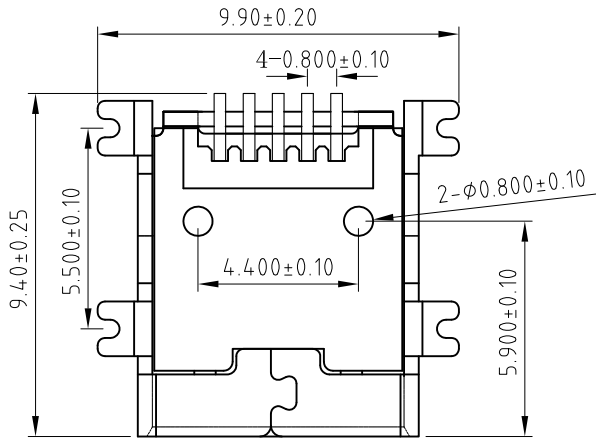
**Material**

- Insulator: LCP
- Flammability: UL94V-0
- Contacts: Phosphor bronze
- Shell: Phosphor bronze
- Shell Plating: 120u" Tin over 30u" Nickel

**Ratings**

- Current: 1A
- Voltage: 30V AC(r.m.s.)
- Contact Resistance: <30mΩ
- Insulation Resistance: >1000 MΩ
- Dielectric Strength: 500V AC
- Temperature range: -55°C - +105°C

RoHS Compliant



PART NUMBER:

**USB-M3XFXX**

**Packaging:**  
 TR - tape/reel w/pick up pad  
 TU - tube  
 T0 - tape/reel w/out pad

**PLATING:** △  
 6: Selective Au Flash/50u" Ni  
 8: Selective 30u" Au/50u" Ni (USB 2.0)



THESE DRAWINGS AND SPECIFICATIONS ARE THE PROPERTY OF ON-SHORE TECHNOLOGY, INC. AND SHALL NOT BE REPRODUCED, COPIED OR USED IN ANY MANNER WITHOUT THE PRIOR WRITTEN CONSENT OF ON-SHORE TECHNOLOGY, INC.

TITLE		Mini USB - SMT Board Mount- AB Type			
PART NO.	USB-M3XFXX	DWG NO.	USB-M3XFXX.DWG		
APPROVED	CHECKED	DESIGNED	DRAWN	1200	
Stephen 2012.07.05	Marvin 2012.07.05	Sun 2012.07.05	Lee 2012.07.05	Tolerance	
					UNIT: mm
					SCALE: NONE
				SHEET: 1/1	REV: A

X°	±1°
X.X	±0.30
X.XX	±0.20
X.XXX	±0.10