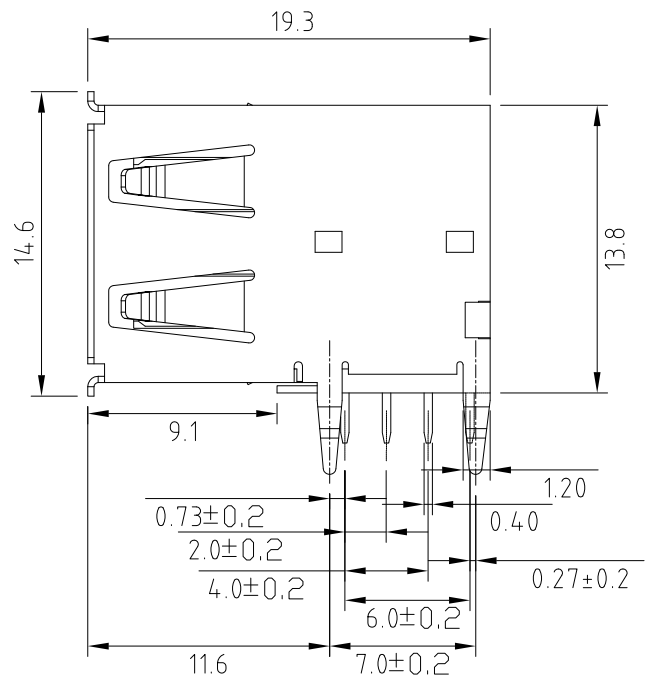
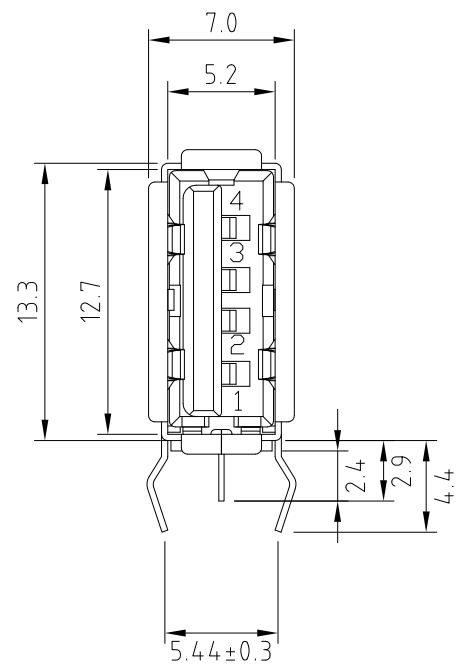


SIGN	DATE	DESCRIPTION	APPROVER
△	2012.10.03	USB 2.0 detail added	SHIN
	2019.12.19	Updated drawing	

THIS IS CAD DRAWING, DO NOT REVISE MANUALLY!!!



Material

- Insulator: Glass Filled Polyester
- Flammability: UL94V-0
- Contacts: Phosphor Bronze
- Contact Plating: See options
- Shell: Brass
- Shell Plating: 80u" Min. Tin over 50u" Cu

Ratings

- Current: 1A
- Voltage: 30V AC(r.m.s.)
- Contact Resistance: <30mΩ
- Insulation Resistance: >1,000 MΩ
- Dielectric Strength: 750V AC
- Operating Temp: -55° - +85°
- Storage Temp: -40° - +70°

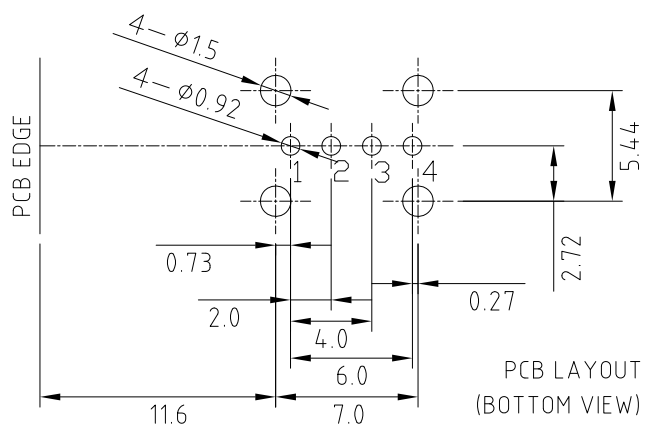
RoHS Compliant

PART NUMBER:

USB-A1SSXX

COLOR:
B: Black
W: White

PLATING:
6: Selective Au Flash/50u" Ni
8: Selective 30u" Au/50u" Ni (USB 2.0)



Recommended P.C. Board Layout

THESE DRAWINGS AND SPECIFICATIONS ARE THE PROPERTY OF ON-SHORE TECHNOLOGY, INC. AND SHALL NOT BE REPRODUCED, COPIED OR USED IN ANY MANNER WITHOUT THE PRIOR WRITTEN CONSENT OF ON-SHORE TECHNOLOGY, INC.



TITLE		USB - A type, Side type, thru hole				
PART NO.	USB-A1SSXX	DWG NO.	USB-A1SSXX.DWG			
APPROVED	CHECKED	DESIGNED	DRAWN	1200/2090		Tolerance
	Marvin 2006.11.12	Marvin 2006.11.12	Marvin 2006.11.12			X° ±1° X.X ±0.30/.012 X.XX ±0.20/.008 X.XXX ±0.10/.004
				SHEET: 01/01	REV.: A	