

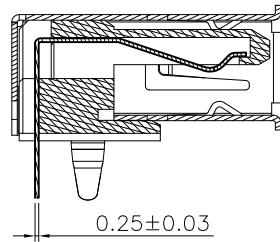
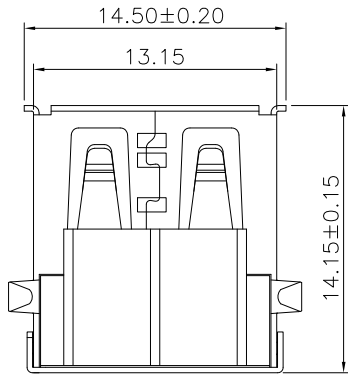
1

2

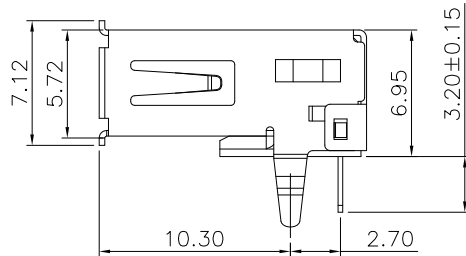
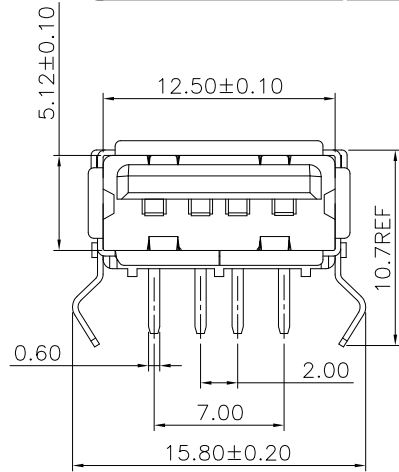
3

4

5



SECTION A-A



Specifications:

Current Rating:1.5A AC/DC  
 Voltage Rating:30V AC/DC  
 Contact Resistance:30m ohm. Max.  
 Insulation Resistance:1,000M ohm. min.  
 Withstanding Voltage:500V AC For One Minute  
 Operating Temperature Range:-55°C ~ +85°C

Material and Finish

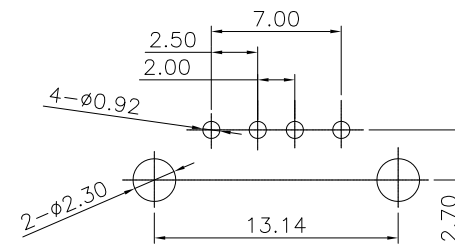
Insulator:PBT&PA9T(UL94V-0)  
 Contact:Phosphor Bronze  
 Plating:Gold Plated 1U" & 30u"  
 Tin Plated on Solder Tail.  
 Shell:Brass,Nickel Plated 100U"

PART NUMBER:

**USB-A1HSXX**

COLOR:  
 B: Black  
 W: White

PLATING:  
 6: Selective Au Flash/50u" Ni  
 8: Selective 30u" Au/50u" Ni (USB 2.0)



PCB LAYOUT

RoHS Compliant

DRAWN:  
 Richie

GENERAL TOLERANCE:  
 .X=±0.20  
 .XX=±0.15



ON-SHORE TECHNOLOGY, INC.

CHECKED:  
 Jeremy Liu

UNIT: MM  
 SCALE: 1:1

DESCRIPTION:  
 USB - A Type, Horizontal, thru hole

B 25-Mar-2021 Ben

A 05-Nov-2010 Richie

APPROVAL:  
 Mike Wu

SHEET: 1/2

PART NO:  
 USB-A1HSXX

REV DATE FILE BY

PROJECTION:

A

B

C

D