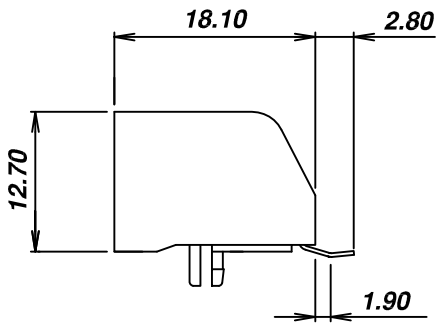
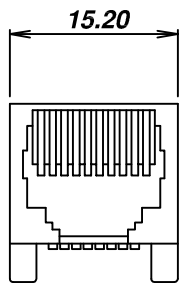


SIGN	DATE	DESCRIPTION	APPROVER
		<i>THIS IS CAD DRAWING, DO NOT REVISE MANUALLY!!!</i>	



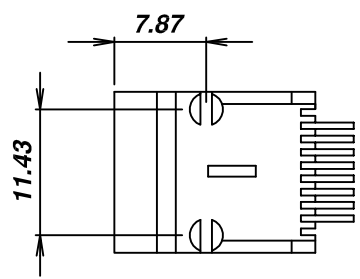
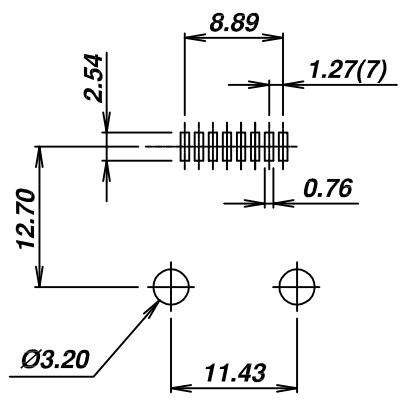
Material:

- Housing: Nylon (UL 94V-0)
- Color: Black
- Spring Wire: 0.35mm Diameter Phosphor Bronze
Gold Plating over Nickel
- Temp. Range: -40°C/+85°C
- Durability: 500 Mating cycles Min.

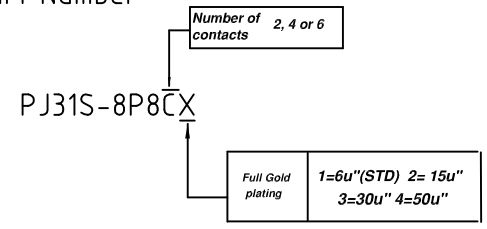
Electrical:

- Current rating: 1.5A Max.
- Voltage rating: 120V AC
- Insulation Resistance: >500 MΩ
- Contact Resistance: <20mΩ
- Dielectric Voltage: 1,000 Vrms for 60 sec. min.
- Processing Temp.: 260°C for 5 seconds

RoHS Compliant



● Part Number



Non STD may require MOQ

THESE DRAWINGS AND SPECIFICATIONS ARE THE PROPERTY OF ON-SHORE TECHNOLOGY, INC. AND SHALL NOT BE REPRODUCED, COPIED OR USED IN ANY MANNER WITHOUT THE PRIOR WRITTEN CONSENT OF ON-SHORE TECHNOLOGY, INC.



TITLE		PJ31S Series - 8 pos, 8 cont, side entry, SMT					
PART NO.		PJ31S-8P8CX		DWG NO.		PJ31S-8P8CX.DWG	
APPROVED		CHECKED	DESIGNED	DRAWN	CUST NO.		Tolerance
Billy 2008.07.01		Johnn 2008.07.01	Tony 2008.07.01	Steven 2008.07.01			X.XX ±0.25 X.XXX ±0.13 X.XXXX ±0.05
				SHEET: 01/01		UNIT: mm SCALE: NONE REV.: A	