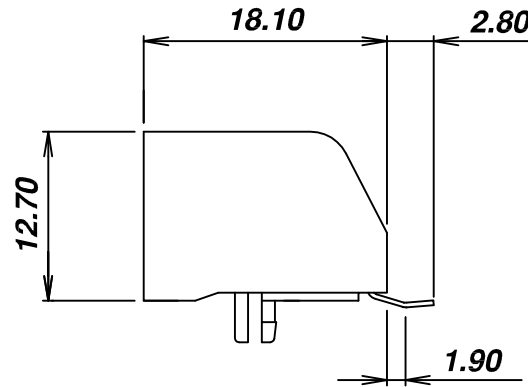
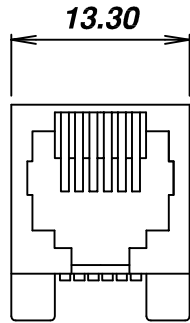


SIGN	DATE	DESCRIPTION	APPROVER
THIS IS CAD DRAWING, DO NOT REVISE MANUALLY!!!			



Material:

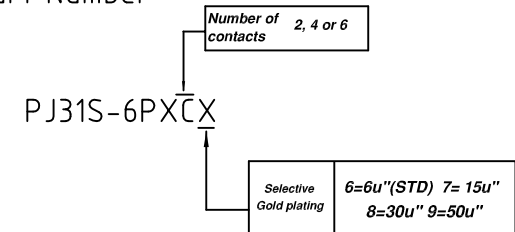
- Housing: Nylon (UL 94V-0)
- Color: Black
- Spring Wire: 0.35mm Diameter Phosphor Bronze
Gold Plating over Nickel
- Temp. Range: -40°C/+85°C
- Durability: 500 Mating cycles Min.

Electrical:

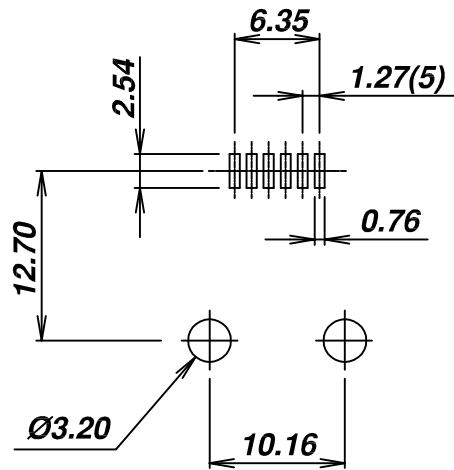
- Current rating: 1.5A Max.
- Voltage rating: 120V AC
- Insulation Resistance: >500 MΩ
- Contact Resistance: <20mΩ
- Dielectric Voltage: 1,000 Vrms for 60 sec. min.
- Processing Temp.: 260°C for 5 seconds

RoHS Compliant

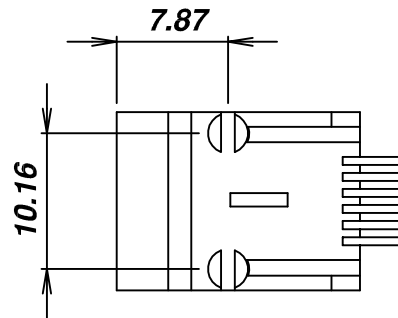
● Part Number



Non STD may require MOQ



**PCB Layout
(Top View)**



THESE DRAWINGS AND SPECIFICATIONS ARE THE PROPERTY OF ON-SHORE TECHNOLOGY, INC. AND SHALL NOT BE REPRODUCED, COPIED OR USED IN ANY MANNER WITHOUT THE PRIOR WRITTEN CONSENT OF ON-SHORE TECHNOLOGY, INC.

		TITLE				PJ31S Series - 6 pos, 2, 4 or 6 cont, side entry, SMT					
		PART NO.		PJ31S-6PXCX		DWG NO.		PJ31S-6PXCX.DWG			
APPROVED		CHECKED		DESIGNED		DRAWN		CUST NO.		Tolerance	
Billy 2008.07.01		Johnn 2008.07.01		Tony 2008.07.01		Steven 2008.07.01				UNIT: mm SCALE: NONE REV.: A	
								SHEET: 01/01		X.XX ±0.25 X.XXX ±0.13 X.XXXX ±0.05	