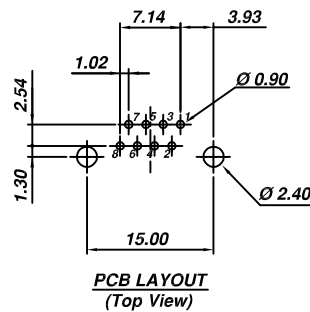
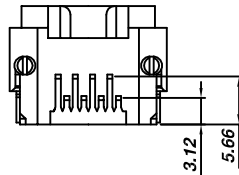
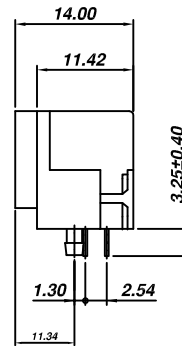
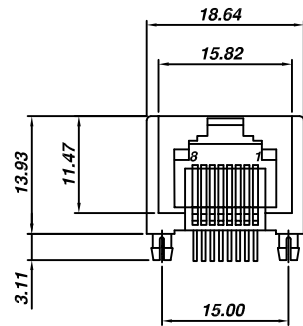


SIGN	DATE	DESCRIPTION	APPROVER
		<i>THIS IS CAD DRAWING, DO NOT REVISE MANUALLY!!!</i>	



**Material:**

- Housing: PBT Glass Filled (UL 94V-0)
- Color: Medium Gray
- Spring Wire: 0.45mm Diameter Phosphor Bronze  
Gold Plating over Nickel
- Temp. Range: -40°C/+85°C
- Durability: 750 Mating cycles Min.
- Soldering Temperature: 245°C for 5 seconds

**Electrical:**

- Current rating: 1.5A Max.
- Voltage rating: 150V AC
- Insulation Resistance: >500 MΩ
- Contact Resistance: <30mΩ
- Dielectric Voltage: 1,000 Vrms at 1MA for 60 sec. min.

RoHS Compliant

● Part Number

PJ044-8P8CX

Full Gold plating	1=6u"(STD) 2= 15u" 3=30u" 4=50u"
-------------------	-------------------------------------

Non STD may require MOQ

THESE DRAWINGS AND SPECIFICATIONS ARE THE PROPERTY OF ON-SHORE TECHNOLOGY, INC. AND SHALL NOT BE REPRODUCED, COPIED OR USED IN ANY MANNER WITHOUT THE PRIOR WRITTEN CONSENT OF ON-SHORE TECHNOLOGY, INC.



TITLE		PJ044 Series - 8 pos, 8 cont, side entry, thru hole			
PART NO.		PJ044-8P8CX		DWG NO. PJ044-8P8CX.DWG	
APPROVED	CHECKED	DESIGNED	DRAWN	CUST NO.	Tolerance
Billy 2013.05.31	Johnn 2013.05.31	Tony 2013.05.31	Steven 2013.05.31		X.XX ±0.25 X.XXX ±0.13 X.XXXX ±0.05
				UNIT: mm	
				SCALE: NONE	
				REV.: A	
				SHEET: 01/01	