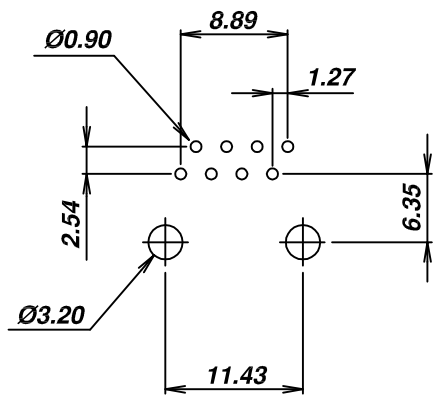
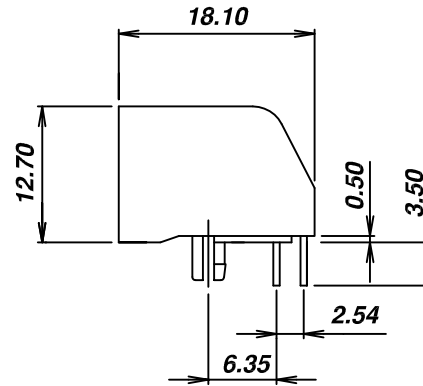
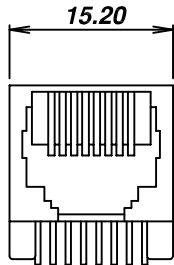
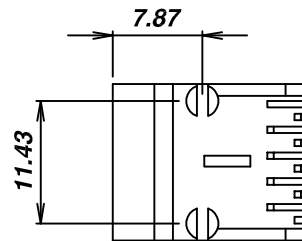


SIGN	DATE	DESCRIPTION	APPROVER
<i>THIS IS CAD DRAWING, DO NOT REVISE MANUALLY!!!</i>			



**PCB Layout
(Top View)**



Material:

- Housing: PBT Glass Filled (UL 94V-0)
- Color: Black
- Spring Wire: 0.35mm Diameter Phosphor Bronze
Gold Plating over Nickel
- Temp. Range: -25°C - +90°C
- Process Temp.: 245°C for 5 sec.
- Durability: 500 Mating cycles Min.

Electrical:

- Current rating: 1.5A Max.
- Voltage rating: 120V AC
- Insulation Resistance: >500 MΩ
- Contact Resistance: <20mΩ
- Dielectric Voltage: 1,000 Vrms for 60 sec. min.

RoHS Compliant

Part Number

PJ031-8P8CX

<i>Selective Gold plating</i>	6=6u"(STD) 7= 15u"
	8=30u" 9=50u"

Non STD may require MOQ



ON-SHORE TECHNOLOGY, INC.

THESE DRAWINGS AND SPECIFICATIONS ARE THE PROPERTY OF ON-SHORE TECHNOLOGY, INC. AND SHALL NOT BE REPRODUCED, COPIED OR USED IN ANY MANNER WITHOUT THE PRIOR WRITTEN CONSENT OF ON-SHORE TECHNOLOGY, INC.

TITLE		PJ031 Series - 8 pos, 8 cont, side entry, thru hole					
PART NO.		PJ031-8P8CX		DWG NO.		PJ031-8P8CX.DWG	
APPROVED		CHECKED	DESIGNED	DRAWN	CUST NO.		Tolerance
Billy 2005.01.12		John 2005.01.12	Tony 2005.01.12	Steven 2005.01.12			X.XX ±0.25 X.XXX ±0.13 X.XXXX ±0.05
				SHEET: 01/01		UNIT: mm SCALE: NONE REV: A	