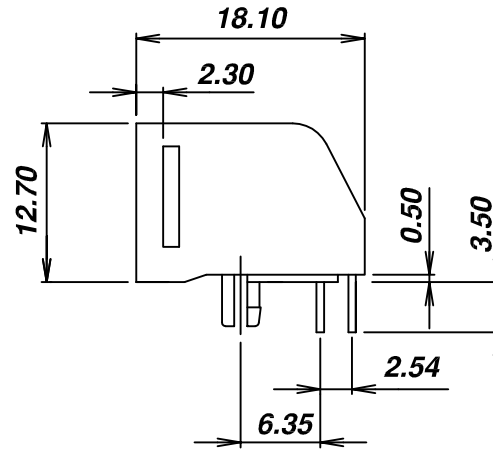
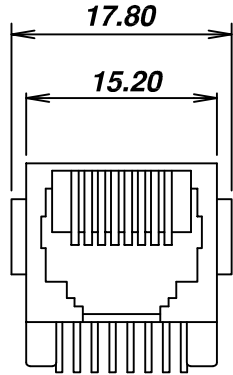
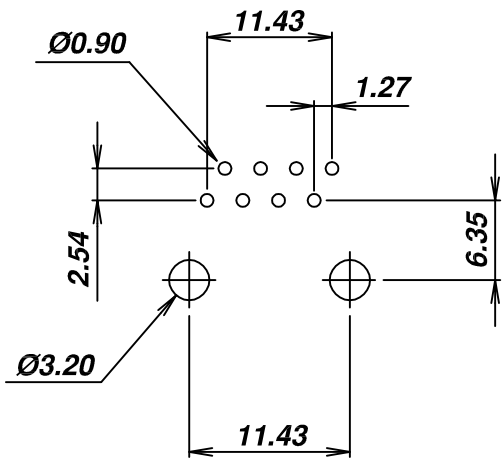


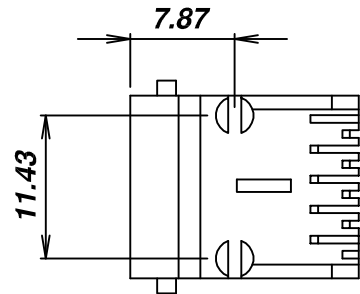
SIGN	DATE	DESCRIPTION	APPROVER
		<i>THIS IS CAD DRAWING, DO NOT REVISE MANUALLY!!!</i>	



- Material:
- Housing: PBT Glass Filled (UL 94V-0)
 - Color: Black
 - Spring Wire: 0.35mm Diameter Phosphor Bronze Gold Plating over Nickel
 - Temp. Range: -25°C - +90°C
 - Process Temp.: 245°C for 5 sec.
 - Durability: 500 Mating cycles Min.
- Electrical:
- Current rating: 1.5A Max.
 - Voltage rating: 120V AC
 - Insulation Resistance: >500 MΩ
 - Contact Resistance: <20mΩ
 - Dielectric Voltage: 1,000 Vrms for 60 sec. min.
- RoHS Compliant



**PCB Layout
(Top View)**



Part Number
PJ031-8P8CX-F

Selective Gold plating	6=6u" (STD) 7= 15u"
	8=30u" 9=50u"

Non STD may require MOQ

THESE DRAWINGS AND SPECIFICATIONS ARE THE PROPERTY OF ON-SHORE TECHNOLOGY, INC. AND SHALL NOT BE REPRODUCED, COPIED OR USED IN ANY MANNER WITHOUT THE PRIOR WRITTEN CONSENT OF ON-SHORE TECHNOLOGY, INC.



TITLE		PJ031 Series - 8 pos, 8 cont, side entry, thru hole, with flange					
PART NO.		PJ031-8P8CX-F		DWG NO.		PJ031-8P8CX-F.DWG	
APPROVED		CHECKED	DESIGNED	DRAWN	CUST NO.		Tolerance
Billy 2005.01.12		Johnn 2005.01.12	Tony 2005.01.12	Steven 2005.01.12			X.XX ±0.025 X.XXX ±0.13 X.XXXX ±0.05
						UNIT: mm	
				SHEET: 01/01		SCALE: NONE	
						REV.: A	