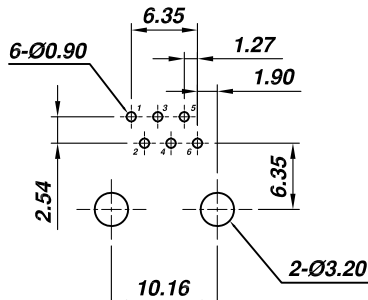
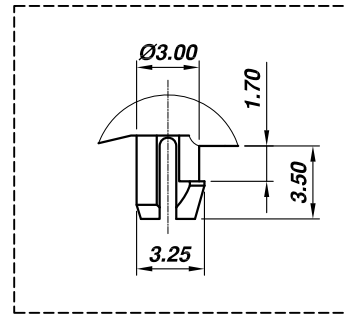
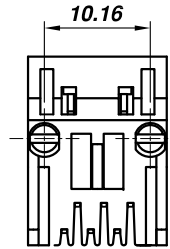
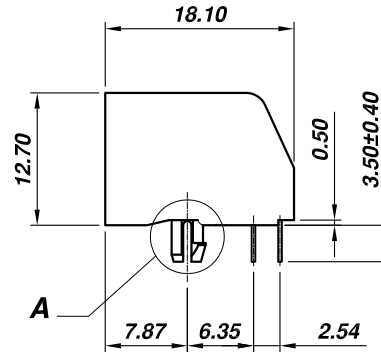
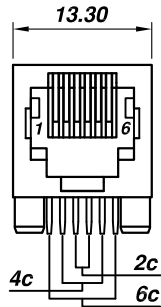


SIGN	DATE	DESCRIPTION	APPROVER

THIS IS CAD DRAWING, DO NOT REVISE MANUALLY!!!



PCB LAYOUT
(Top View)

Material:

- Housing: PBT Glass Filled (UL 94V-0)
- Color: Black
- Spring Wire: 0.35mm Diameter Phosphor Bronze
Gold Plating over Nickel
- Temp. Range: -40°C - +85°C
- Process Temp.: 235°C for 5 sec.
- Durability: 500 Mating cycles Min.

Electrical:

- Current rating: 1.5A Max.
- Voltage rating: 120V AC
- Insulation Resistance: 500MΩ Min. 500V DC for 1 minute
- Contact Resistance: 20mΩ Max.
- Dielectric Voltage: 1,000 Vrms at 1mA for 60 sec. min.

RoHS Compliant

Part Number

No. of contacts 2, 4, or 6

PJ031-6PXCX

Selective Gold plating 6=6u"(STD) 7= 15u"
8=30u" 9=50u"

Non STD may require MOQ

THESE DRAWINGS AND SPECIFICATIONS ARE THE PROPERTY OF ON-SHORE TECHNOLOGY, INC. AND SHALL NOT BE REPRODUCED, COPIED OR USED IN ANY MANNER WITHOUT THE PRIOR WRITTEN CONSENT OF ON-SHORE TECHNOLOGY, INC.



ON-SHORE TECHNOLOGY, INC.

TITLE		PJ031 Series - 6 pos, 2,4, or 6 cont, side entry, thru hole					
PART NO.	PJ031-6PXCX	DWG NO.	PJ031-6PXCX.DWG				
APPROVED	CHECKED	DESIGNED	DRAWN	CUST NO.	Tolerance		
Jason 2012.05.29	Liu 2012.05.29	Deng 2012.05.29	Deng 2012.05.29		UNIT: mm	X.XX ±0.25	
					SCALE: NONE	X.XXX ±0.13	
					REV: B	X.XXXX ±0.05	
				SHEET: 01/01			