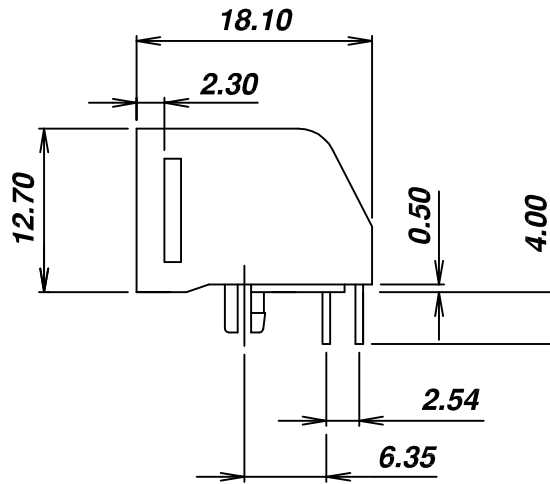
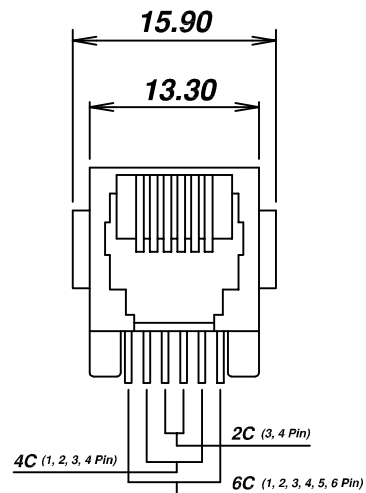


SIGN	DATE	DESCRIPTION	APPROVER
		<i>THIS IS CAD DRAWING, DO NOT REVISE MANUALLY!!!</i>	



**Material:**

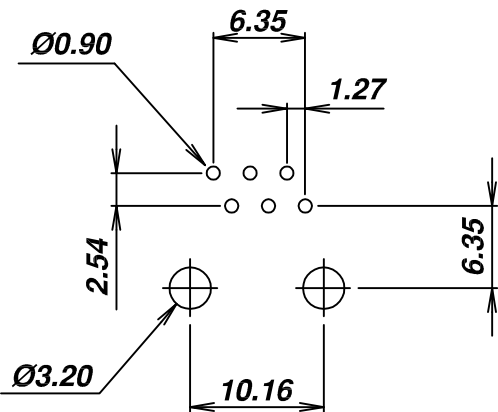
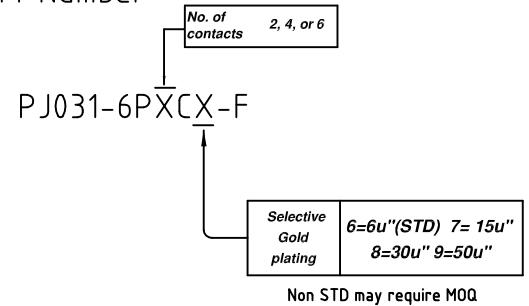
- Housing: PBT Glass Filled (UL 94V-0)
- Color: Black
- Spring Wire: 0.35mm Diameter Phosphor Bronze Gold Plating over Nickel
- Temp. Range: -40°C - +85°C
- Process Temp.: 245°C for 5 sec.
- Durability: 500 Mating cycles Min.

**Electrical:**

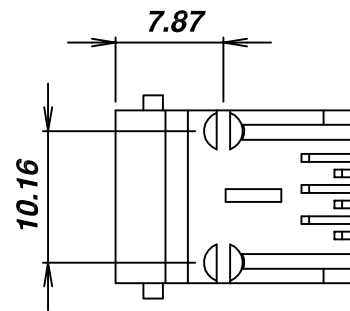
- Current rating: 1.5A Max.
- Voltage rating: 120V AC
- Insulation Resistance: >500 MΩ
- Contact Resistance: <20mΩ
- Dielectric Voltage: 1,000 Vrms for 60 sec. min.

RoHS Compliant

**Part Number**



**PCB Layout  
( Top View )**



THESE DRAWINGS AND SPECIFICATIONS ARE THE PROPERTY OF ON-SHORE TECHNOLOGY, INC. AND SHALL NOT BE REPRODUCED, COPIED OR USED IN ANY MANNER WITHOUT THE PRIOR WRITTEN CONSENT OF ON-SHORE TECHNOLOGY, INC.

		ON-SHORE TECHNOLOGY, INC.									
		TITLE	PJ031 Series - 6 pos, 2,4, or 6 cont, side entry, thru hole, flange								
PART NO.	PJ031-6PXCX-F	DWG NO.	PJ031-6PXCX-F.DWG								
APPROVED	CHECKED	DESIGNED	DRAWN	CUST NO.	Tolerance						
Billy 2012.01.11	John 2012.01.11	Tony 2012.01.11	Steven 2012.01.11		<table border="1"> <tr> <td>UNIT: mm</td> <td>X.XX ±0.25</td> </tr> <tr> <td>SCALE: NONE</td> <td>X.XXX ±0.13</td> </tr> <tr> <td>REV: A</td> <td>X.XXXX ±0.05</td> </tr> </table>	UNIT: mm	X.XX ±0.25	SCALE: NONE	X.XXX ±0.13	REV: A	X.XXXX ±0.05
UNIT: mm	X.XX ±0.25										
SCALE: NONE	X.XXX ±0.13										
REV: A	X.XXXX ±0.05										
SHEET: 01/01				REV: A							