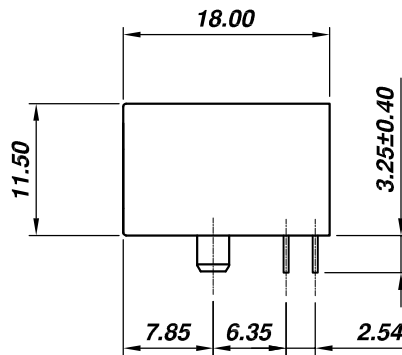
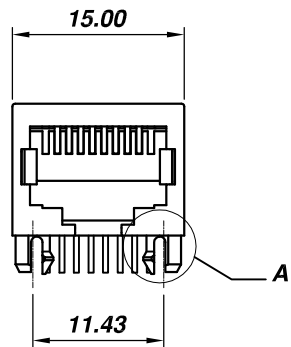


SIGN	DATE	DESCRIPTION	APPROVER
△	2011.03.01	DESCRIPTION	

THIS IS CAD DRAWING, DO NOT REVISE MANUALLY!!!



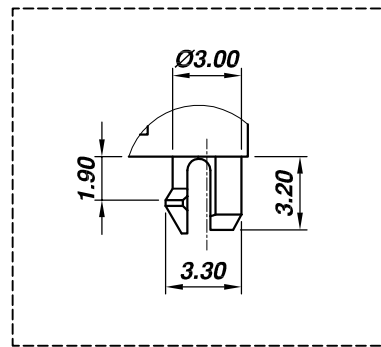
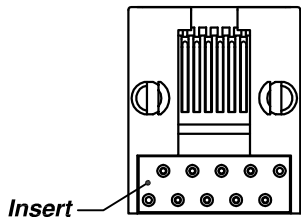
Material:

- Housing: PBT Glass Filled (UL 94V-0)
- Color: Black
- Spring Wire: 0.45mm Diameter Phosphor Bronze Gold Plating over Nickel
- Temp. Range: -25°C/+90°C
- Durability: 500 Mating cycles Min.

Electrical:

- Current rating: 1.5A Max.
- Voltage rating: 120V AC
- Insulation Resistance: >500 MΩ
- Contact Resistance: <20mΩ
- Dielectric Voltage: 1,000 Vrms for 60 sec. min.

RoHS Compliant

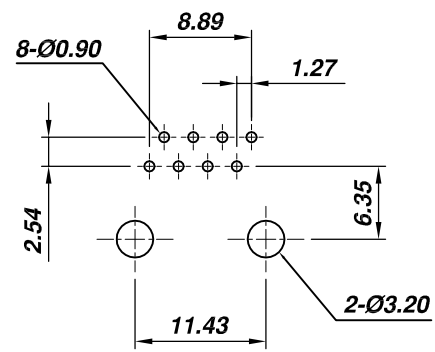


● Part Number

PJ019-8P8CX

Full Gold plating	1=6u"(STD) 2= 15u"
	3=30u" 4=50u"

Non STD may require MOQ



PCB LAYOUT
(Top View)

THESE DRAWINGS AND SPECIFICATIONS ARE THE PROPERTY OF ON-SHORE TECHNOLOGY, INC. AND SHALL NOT BE REPRODUCED, COPIED OR USED IN ANY MANNER WITHOUT THE PRIOR WRITTEN CONSENT OF ON-SHORE TECHNOLOGY, INC.



TITLE		PJ019 Series - 8 pos, 8 cont, side entry, thru hole	
PART NO.	PJ019-8P8CX	DWG NO.	PJ019-8P8CX.DWG
APPROVED	CHECKED	DESIGNED	DRAWN
Billy 2010.01.01	Johnn 2010.01.01	Tony 2010.01.01	Steven 2010.01.01
SHEET: 01/01		Tolerance	
UNIT: mm		X.XX ±0.25	
SCALE: NONE		X.XXX ±0.13	
REV: B		X.XXXX ±0.05	