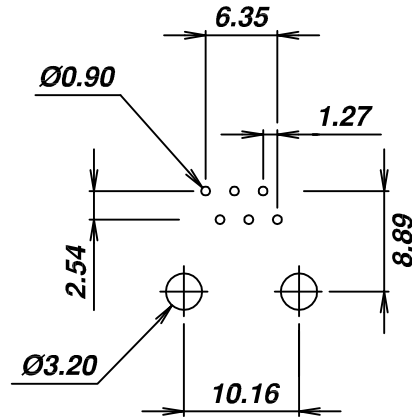
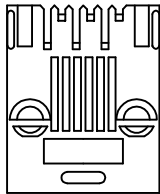
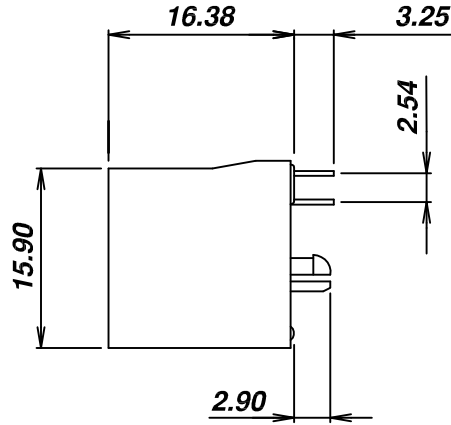
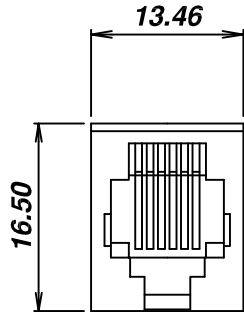


SIGN	DATE	DESCRIPTION	APPROVER

THIS IS CAD DRAWING, DO NOT REVISE MANUALLY!!!



PCB LAYOUT
(Top View)

Material:

- Housing: PBT Glass Filled (UL 94V-0)
- Color: Black
- Spring Wire: 0.45mm Diameter Phosphor Bronze
Gold Plating over Nickel
- Temp. Range: -25°C/+90°C
- Durability: 500 Mating cycles Min.

Electrical:

- Current rating: 1.5A Max.
- Voltage rating: 120V AC
- Insulation Resistance: 500 MΩ Min.
- Contact Resistance: 20mΩ Max.
- Dielectric Voltage: 1,000 Vrms for 60 sec. min.

- Part Number

PJ012-6PXCX

No. of contacts: 2, 4, or 6

Gold plating: 1=6u" 2=15u"
3=30u" 4=50u"

RoHS Compliant



THESE DRAWINGS AND SPECIFICATIONS ARE THE PROPERTY OF ON-SHORE TECHNOLOGY, INC. AND SHALL NOT BE REPRODUCED, COPIED OR USED IN ANY MANNER WITHOUT THE PRIOR WRITTEN CONSENT OF ON-SHORE TECHNOLOGY, INC.

TITLE	PJ012, 6 pos, top entry, thru hole			DWG NO.	PJ012-6PXCX.DWG	
PART NO.	PJ012-6PXCX			CUST NO.		
APPROVED	CHECKED	DESIGNED	DRAWN	Tolerance		
Billy 2006.02.07	Johnn 2006.02.07	Tony 2006.02.07	Steven 2006.02.07			X.XX ±0.025
				UNIT: mm	X.XXX ±0.13	
				SCALE: NONE	X.XXXX ±0.05	
				SHEET: 01/01	REV: A	