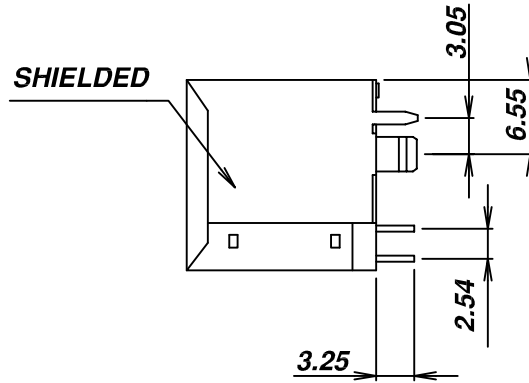
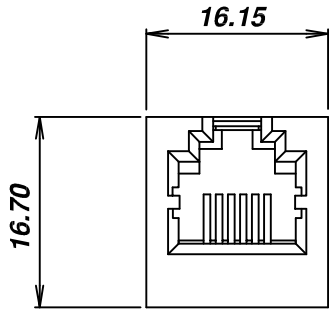


SIGN	DATE	DESCRIPTION	APPROVER
THIS IS CAD DRAWING, DO NOT REVISE MANUALLY!!!			

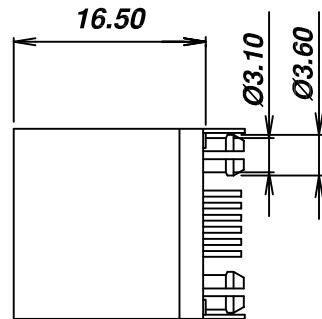
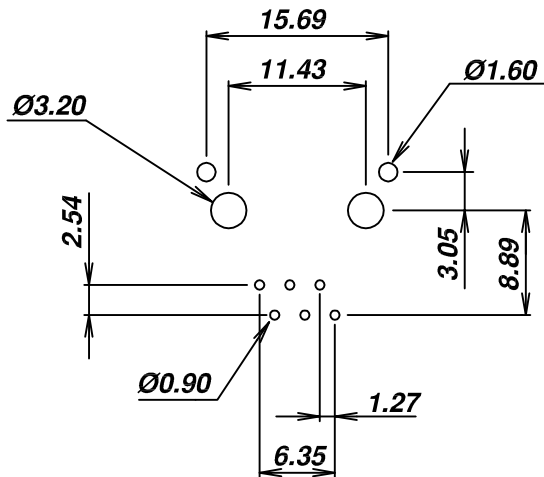


**Material:**

- Housing: PBT Glass Filled (UL 94V-0)
- Color: Black
- Spring Wire: 0.35mm Diameter Phosphor Bronze Gold Plating over Nickel
- Temp. Range: -25°C/+90°C
- Durability: 500 Mating cycles Min.

**Electrical:**

- Current rating: 1.5A Max.
- Voltage rating: 120V AC
- Insulation Resistance: 500 MΩ Min.
- Contact Resistance: 20mΩ Max.
- Dielectric Voltage: 1,000 Vrms for 60 sec. min.



- Part Number

PJ012-6PXCX-S

No. of contacts: 2, 4, or 6

Gold plating: 1=6u" 2=15u" 3=30u" 4=50u"

RoHS Compliant

**PCB LAYOUT  
(Top View)**

THESE DRAWINGS AND SPECIFICATIONS ARE THE PROPERTY OF ON-SHORE TECHNOLOGY, INC. AND SHALL NOT BE REPRODUCED, COPIED OR USED IN ANY MANNER WITHOUT THE PRIOR WRITTEN CONSENT OF ON-SHORE TECHNOLOGY, INC.



TITLE		PJ012, 6 pos, top entry, thru hole, Shielded			
PART NO.	PJ012-6PXCX-S	DWG NO.	PJ012-6PXCX-S.DWG		
APPROVED	CHECKED	DESIGNED	DRAWN	CUST NO.	Tolerance
Billy 2006.02.07	Johnn 2006.02.07	Tony 2006.02.07	Steven 2006.02.07		X.XX ±0.025 X.XXX ±0.13 X.XXXX ±0.05
				UNIT: mm	
				SCALE: NONE	
				REV: A	
				SHEET: 01/01	