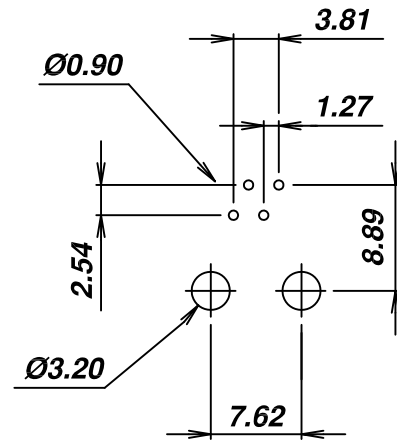
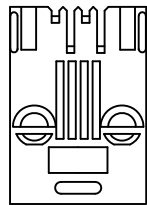
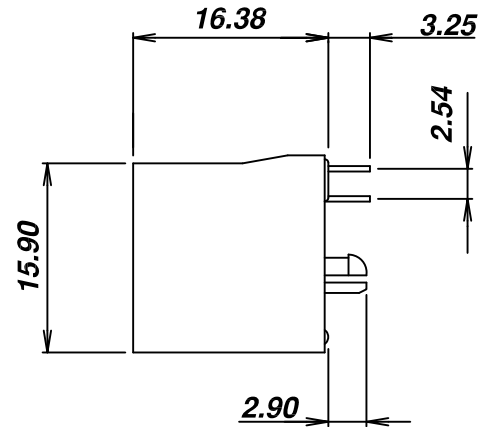
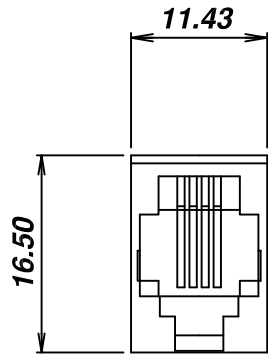


SIGN	DATE	DESCRIPTION	APPROVER
		<i>THIS IS CAD DRAWING, DO NOT REVISE MANUALLY!!!</i>	



PCB LAYOUT
(Top View)

Material:

- Housing: PBT Glass Filled (UL 94V-0)
- Color: Black
- Spring Wire: 0.45mm Diameter Phosphor Bronze
Gold Plating over Nickel
- Temp. Range: -40°C/+90°C
- Durability: 500 Mating cycles Min.

Electrical:

- Current rating: 1.5A Max.
- Voltage rating: 120V AC
- Insulation Resistance: 500 MΩ Min.
- Contact Resistance: 20mΩ Max.
- Dielectric Voltage: 1,000 Vrms for 60 sec. min.

● Part Number

PJ012-4P4CX

RoHS Compliant

Gold plating	1=6u"	2= 15u"
	3=30u"	4=50u"

THESE DRAWINGS AND SPECIFICATIONS ARE THE PROPERTY OF ON-SHORE TECHNOLOGY, INC. AND SHALL NOT BE REPRODUCED, COPIED OR USED IN ANY MANNER WITHOUT THE PRIOR WRITTEN CONSENT OF ON-SHORE TECHNOLOGY, INC.



ON-SHORE TECHNOLOGY, INC.

TITLE		PJ012, 4 pos, 4 contact top entry, thru hole			
PART NO.	PJ012-4P4CX	DWG NO.	PJ012-4P4CX.DWG		
APPROVED	CHECKED	DESIGNED	DRAWN	CUST NO.	Tolerance
Billy 2006.02.07	Johnn 2006.02.07	Tony 2006.02.07	Steven 2006.02.07		X.XX ±0.25 X.XXX ±0.13 X.XXXX ±0.05
				UNIT: mm	
				SCALE: NONE	
				REV: A	
				SHEET: 01/01	