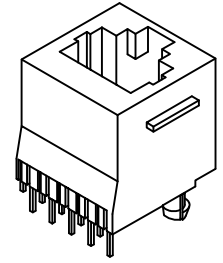
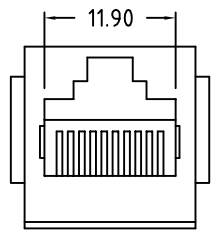


SIGN	DATE	DESCRIPTION	APPROVER
		<i>THIS IS CAD DRAWING, DO NOT REVISE MANUALLY!!!</i>	

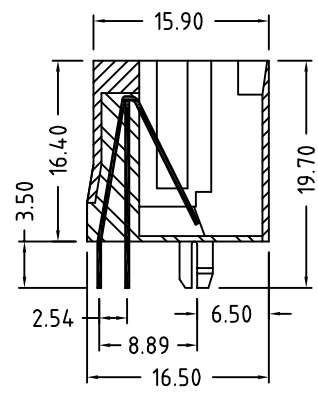
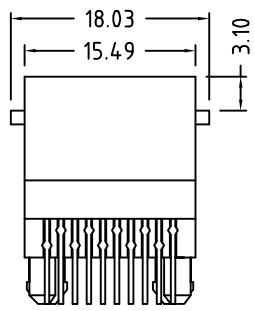


**Material:**

- Housing: PBT Glass Filled (UL 94V-0)
- Color: Black
- Spring Wire: 0.45mm Diameter Phosphor Bronze Gold Plating over Nickel
- Temp. Range: -40°C/+80°C
- Durability: 500 Mating cycles Min.

**Electrical:**

- Current rating: 1.5A Max.
- Voltage rating: 120V AC
- Insulation Resistance: 500 MΩ Min.
- Contact Resistance: 20mΩ Max.
- Dielectric Voltage: 1,000 Vrms for 60 sec. min.

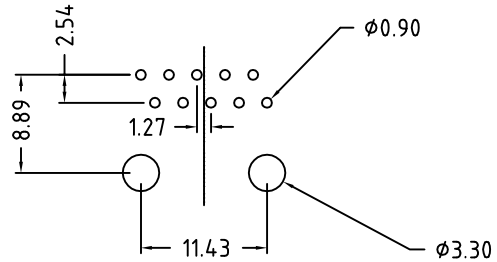


● Part Number

PJ012-10P10CX-F

Gold plating	6=6u"	7= 15u"
	8=30u"	9=50u"

RoHS Compliant



PCB LAYOUT / TOP VIEW

THESE DRAWINGS AND SPECIFICATIONS ARE THE PROPERTY OF ON-SHORE TECHNOLOGY, INC. AND SHALL NOT BE REPRODUCED, COPIED OR USED IN ANY MANNER WITHOUT THE PRIOR WRITTEN CONSENT OF ON-SHORE TECHNOLOGY, INC.



TITLE		PJ012, 10 pos, 10 contact top entry, thru hole, with flange				
PART NO.	PJ012-10P10CX-F	DWG NO.	PJ012-10P10CX-F.DWG			
APPROVED	CHECKED	DESIGNED	DRAWN	CUST NO.	Tolerance	
Billy 2006.02.07	John 2006.02.07	Tony 2006.02.07	Steven 2006.02.07		UNIT: mm	
					SCALE: NONE	X.XX ±0.25
				SHEET: 01/01	REV: A	X.XXX ±0.13
						X.XXXX ±0.05