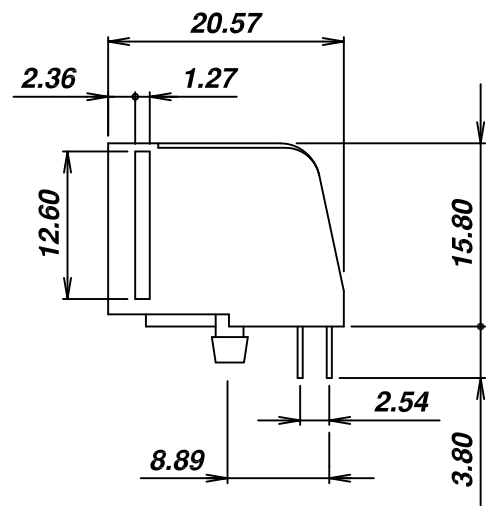
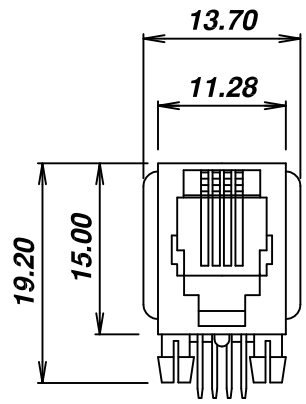


SIGN	DATE	DESCRIPTION	APPROVER
THIS IS CAD DRAWING, DO NOT REVISE MANUALLY!!!			



Material:

- Housing: PBT Glass Filled (UL 94V-0)
- Color: Black
- Spring Wire: 0.35mm Diameter Phosphor Bronze Gold Plating over Nickel
- Temp. Range: -40°C - +85°C
- Durability: 500 Mating cycles Min.
- Soldering Temp: 245 Deg C for 5 seconds

Electrical:

- Current rating: 1.5A Max.
- Voltage rating: 120V AC
- Insulation Resistance: >500 MΩ
- Contact Resistance: <20mΩ
- Dielectric Voltage: 1,000 Vrms for 60 sec. min.

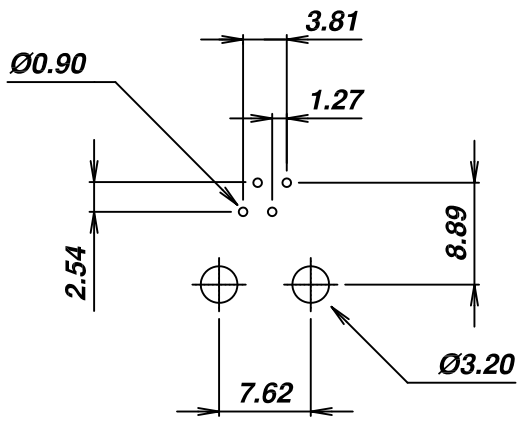
RoHS Compliant

Part Number

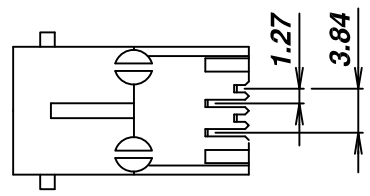
PJ006-4P4CX-F

Selective Gold plating	6=6u"(STD) 7= 15u"
	8=30u" 9=50u"

Non STD may require MOQ



PCB LAYOUT
(Top View)



THESE DRAWINGS AND SPECIFICATIONS ARE THE PROPERTY OF ON-SHORE TECHNOLOGY, INC. AND SHALL NOT BE REPRODUCED, COPIED OR USED IN ANY MANNER WITHOUT THE PRIOR WRITTEN CONSENT OF ON-SHORE TECHNOLOGY, INC.

TITLE		PJ006 Series - 4 pos, 4 cont, side entry, thru hole, with flange			
PART NO.	PJ006-4P4CX-F	DWG NO.	PJ006-4P4CX-F.DWG		
APPROVED	CHECKED	DESIGNED	DRAWN	CUST NO.	Tolerance
Billy 2005.01.12	John 2005.01.12	Tony 2005.01.12	Steven 2005.01.12		X.XX ±0.25 X.XXX ±0.13 X.XXXX ±0.05
				UNIT: mm	
				SCALE: NONE	
				REV: A	
				SHEET: 01/01	