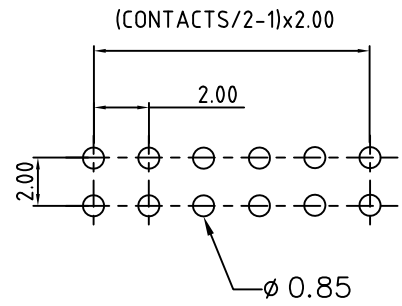
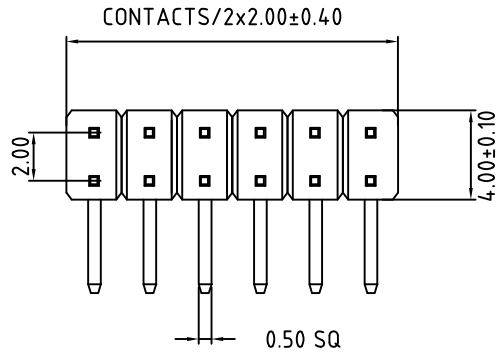
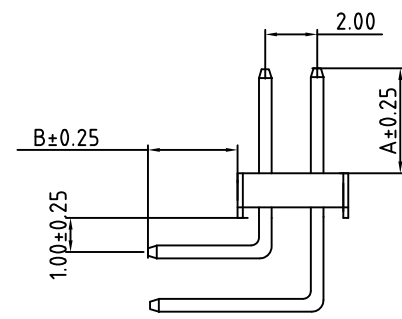
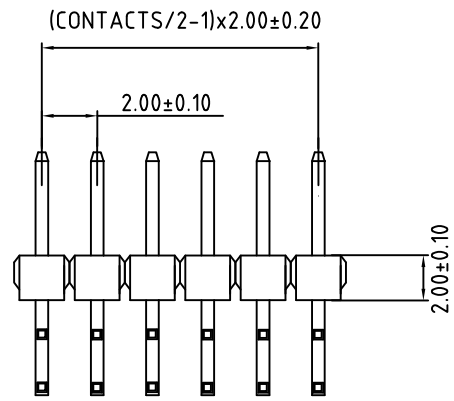


SIGN	DATE	DESCRIPTION	APPROVER
		THIS IS CAD DRAWING, DO NOT REVISE MANUALLY!!!	



RECOMMENDED P.C.B LAYOUT

- Material:
- Insulator: PBT, UL94V-0
  - Color: Black
  - Contact: Copper Alloys
- Electrical:
- Current: 1A Max.
  - Voltage: 250V AC(r.m.s.)
  - Insulation Resistance: 5000 MΩ Min
  - Contact Resistance: 20mΩ Max
  - Dielectric Voltage: 1000VAC/minute
  - Operating Temperature: -55°C ~ +105°C



Part Number

PHD-XX1XX

OPTION CODE - leave blank for standard  
SEE CHART

# of circuits

PLATING:  
1: Gold Flash/50u Nickel (STD)  
5: 120u" Tin/30u" Nickel  
7: 15u" Gold/50u" Nickel  
8: 30u" Gold/50u" Nickel  
non STD may require MOQ

Pin Length Option Chart

Option Code	Dimensions		STANDARD
	A	B	
00	4.00(.157)	2.80(.110)	
01	3.00(.118)	2.80(.110)	
02			
03			

Non standard may require mins. Consult factory for more options

RoHS Compliant



THESE DRAWINGS AND SPECIFICATIONS ARE THE PROPERTY OF ON-SHORE TECHNOLOGY, INC. AND SHALL NOT BE REPRODUCED, COPIED OR USED IN ANY MANNER WITHOUT THE PRIOR WRITTEN CONSENT OF ON-SHORE TECHNOLOGY, INC.

TITLE		PHD Series, 2.00mm, Double Row right angle male header			
PART NO.	PHD-XX1XX	DWG NO.	PHD.DWG		
APPROVED	CHECKED	DESIGNED	DRAWN	1200	
Shi Jun 2006.01.24	Marvin 2006.01.24	Marvin 2006.01.24	Marvin 2006.01.24	Tolerance	
				UNIT: mm	X.X ±0.30
				SCALE: NONE	X.XXX ±0.20
				REV.: A	X.XXX ±0.10
				SHEET: 01/01	X° ±1°