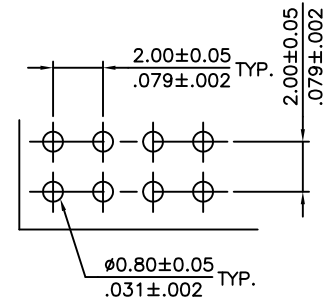
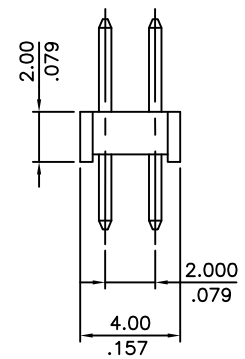
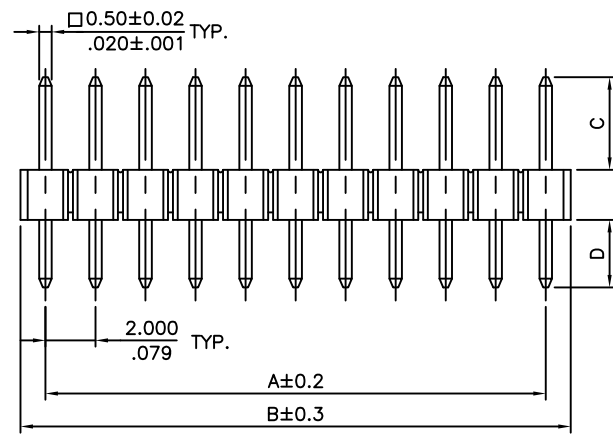
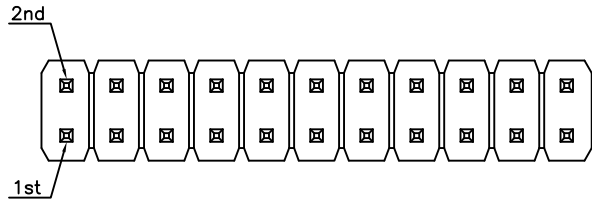


SIGN	DATE	DESCRIPTION	APPROVER
		THIS IS CAD DRAWING, DO NOT REVISE MANUALLY!!!	



A = 2.00 * No. of Spaces
 B = A + 2.0
 * Available in 4 through 80 circuits

Pin Length Option Chart

Option Code	Dimensions	
	C	D
00	3.90(.154)	2.80(.110)
01	6.80(.268)	3.00(.118)
02	3.50(.138)	2.00(.079)
03	7.11(.280)	2.97(.117)
04	13.97(.550)	1.625(.064)

STANDARD

Recommended P.C. Board Layout

- Material:
- Insulator: Glass Filled Polyester, UL94V-0
 - Color: Black
 - Contact: Brass
- Electrical:
- Current: 1A Max.
 - Voltage: 250V AC(r.m.s.)
 - Insulation Resistance: >1000 MΩ
 - Contact Resistance: <20mΩ
 - Dielectric Voltage: 1000VAC/minute
 - Operating Temperature: -40°C ~ +105°C

Part Number

OPTION CODE - leave blank for standard
SEE CHART

PHB-XX1XX

of circuits

PLATING:
 1: Gold Flash/50u Nickel (STD)
 5: 120u" Tin/30u" Nickel
 7: 15u" Gold/50u" Nickel
 8: 30u" Gold/50u" Nickel
 non STD may require MOQ

RoHS Compliant



THESE DRAWINGS AND SPECIFICATIONS ARE THE PROPERTY OF ON-SHORE TECHNOLOGY, INC. AND SHALL NOT BE REPRODUCED, COPIED OR USED IN ANY MANNER WITHOUT THE PRIOR WRITTEN CONSENT OF ON-SHORE TECHNOLOGY, INC.

TITLE	PHB Series, 2.00mm, dual Row vertical male header		
PART NO.	PHB-XX1XX	DWG NO.	PHB-XX1XX.DWG
APPROVED	CHECKED	DESIGNED	DRAWN
Shi Jun 2006.01.24	Marvin 2006.01.24	Marvin 2006.01.24	Marvin 2006.01.24
SHEET: 01/01			Tolerance
UNIT: mm/inches			XX ±0.30/.012
SCALE: NONE			X.XX ±0.20/.008
REV.: A			X.XXX ±0.10/.004
			X° ±1°

Non standard may require mins. Consult factory for more options