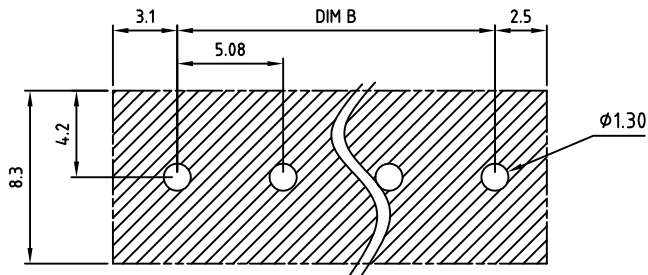
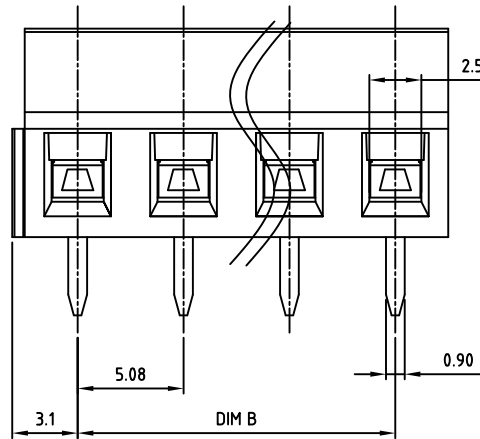
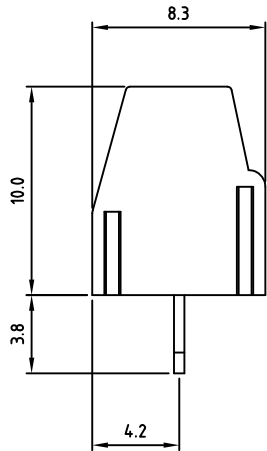
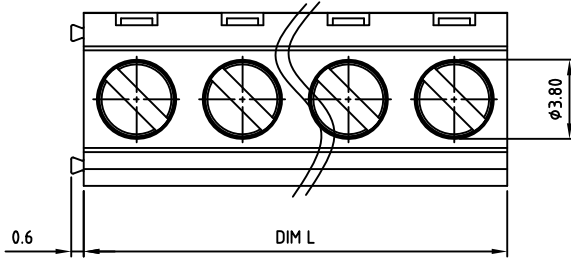
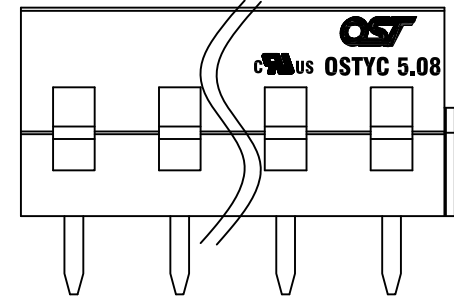
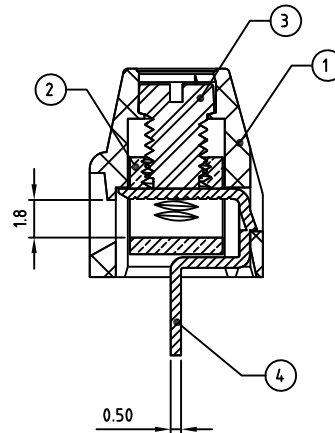


Transfer or duplication of this document as well as the utilisation or communication of its content are not permitted unless express consent is granted. Violations give rise to claims for damages. All rights reserved in case of patent, utility model or design patent registrations.



PCB LAYOUT



Part No.:
OSTYCXX2150

| No. of Poles | COLOR |
|--------------|---------------------|
| 02 2 Poles | 0: Black |
| 03 3 Poles | 2: Red |
| ... | 3: Orange |
| 24 24 Poles | 4: Yellow |
| | 5: Green (Standard) |
| | 6: Blue |
| | 8: Grey |

Nonstandard colors
Mins could apply

Technical data

- Nominal voltage: 300V/10A
PITCH:5.08mm
- Connection capacity:
AWG 30-16 (0.5-1.5mm²)
- Insulation Withstanding Voltage:
AC 1600V/MIN AC 2500V/MIN
- Insulation Resistance:
1000MΩ or more at DC500V
- Tightening torque:
4.0kgf.cm (0.4N.m)
- Screw thread: M3
- Stripping length: 5-6mm

8. User temperature range: -40C°-105C°
Soldering temperature: 250±10C°/5s

9. Undimensioned Tolerances:

| | Dim B | Dim L |
|--------------------|-------|-------|
| Dim.L=Px5.08 | | |
| Dim.B=(P-1)x5.08 | | |
| P= number of poles | | |
| 0-30mm | ±0.15 | ±0.20 |
| over 30mm-60mm | ±0.20 | ±0.25 |
| over 60mm-90mm | ±0.25 | ±0.30 |
| over 90mm | ±0.30 | ±0.40 |

10. Safety approval:

11. RoHS Compliance

| 4 | CONTACT | BRASS | Tin PLATED | P | |
|------|--------------|-----------------|----------------------------|---------------|------------|
| 3 | SCREW | STEEL | M3x0.5, Zn Plated | P | |
| 2 | CAGE | BRASS | M3x0.5, L=4.8 Ni PLATED | P | |
| 1 | BODY | PA66 UL94V-0 | ALL COLOR | 1 | |
| ITEM | NAME OF PART | MATERIAL | NOTES | Q"TY | |
| DWG | WF. Zhang | DATE 2022.05.05 | UNITS: MM | SHEET: 1 OF 1 | Tolerance |
| CHK. | WF. Zhang | DATE 2022.05.05 | SCALE: NONE 4:1 (:) | REV: A | X. ±0.50 |
| APP. | | DATE | TITLE: OSTYC 5.08mm Series | | X.X ±0.30 |
| | | | "-" slot screw | | X.XX ±0.10 |
| | | | PART NO. OSTYCXX2150 | | X° ±1° |
| | | | DWG NO. OSTYCXX2150.DWG | | |

| REV | △ SIGN | DESCRIPTION | CHK. | DATE |
|-----|--------|-------------|------|------|
| | | | | |



ON-SHORE TECHNOLOGY, INC.