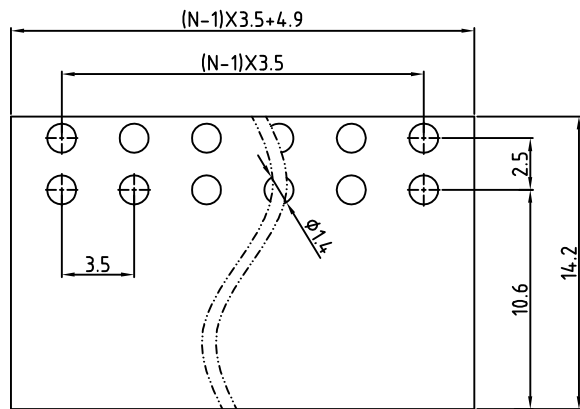
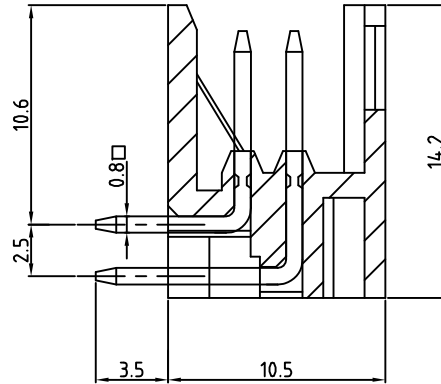
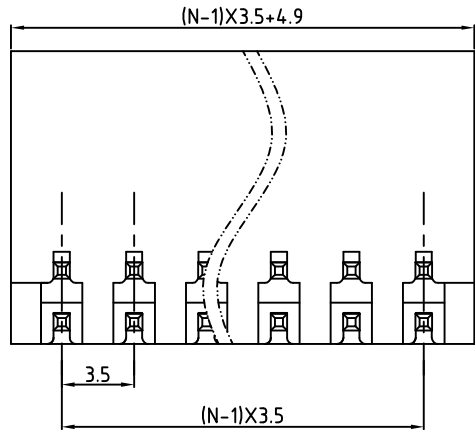
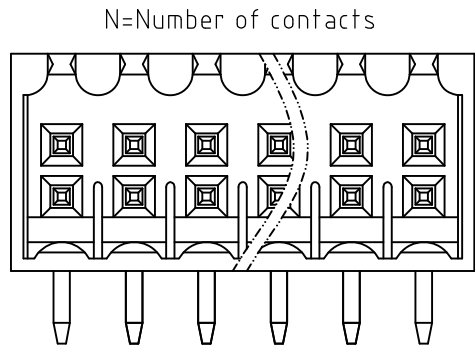


Transfer or duplication of this document as well as the utilisation or communication of its content are not permitted unless express consent is granted. Violations give rise to claims for damages. All rights reserved in case of patent, utility model or design patent registrations.



PCB. LAYOUT

Technical Data:
 Electrical
 Pitch: 3.5mm
 Voltage rating: 300V
 Current rating: 12 Amps
 Withstanding Voltage: 2500VAC(1min)
 Mechanical:
 Operating temperature: -40°C to +105°C
 Soldering temperature
 Temperature= 250°C±10°C /5 seconds max
 Safety approval:
 RoHS Compliance

Part No.:

OSTVXXX1101

No. of Poles 02 2 Poles 03 3 Poles 24 24 Poles	COLOR 0: Black (Standard) 2: Red 3: Orange 4: Yellow 5: Green 6: Blue 8: Grey
---	--

Nonstandard colors
 Mins could apply

3	short Pin	Copper Alloy	Tin plated	1xN
2	Long Pin	Copper Alloy	Tin plated	1xN
1	Body	PA66-30%GF UL94V		1
ITEM	NAME OF PART	MATERIAL	NOTES	Q"TY
DWG.	DATE	UNITS:	MM	SHEET: 1 OF 1
CHK.	DATE	SCALE:	NONE 4:1 (:)	REV.: A
APP.	DATE	TITLE:	OSTVX SERIES 3.5MM	X. ±0.50
			CLOSED RIGHT ANGLE	X.XX ±0.30
		PART NO.	OSTVXXX1101	X° ±1°
		DWG NO.	OSTVXXX1101.DWG	

REV	SIGN	DESCRIPTION	CHK.	DATE



ON-SHORE TECHNOLOGY, INC.