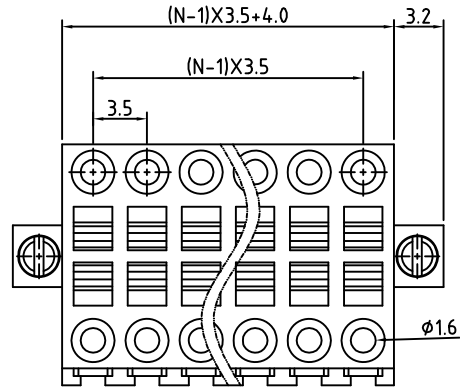
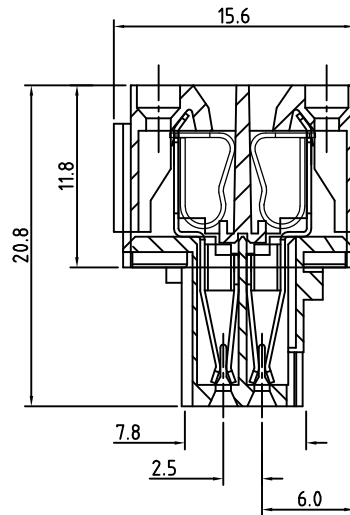
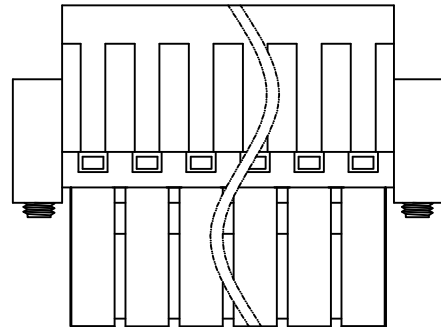


Transfer or duplication of this document as well as the utilisation or communication of its content are not permitted unless express consent is granted. Violations give rise to claims for damages. All rights reserved in case of patent, utility model or design patent registrations.



N=Number of contacts



Technical Data:

Electrical

Pitch: 3.5mm

Voltage rating: 300V

Current rating: 12 Amps

Contact resistance: 20mΩ(max)

Withstanding Voltage: 2500VAC(1min) Test time=60sec/1pcs

Wire range: 14-26AWG

Wire strip length: 7-8mm

Mechanical:

Operating temperature: -40°C to +105°C

Safety approval:

RoHS Compliance

Part No.:

OSTVWXX1001

No. of Poles
 02 2 Poles
 03 3 Poles

 24 24 Poles

COLOR
 0: Black (Standard)
 2: Red
 3: Orange (Standard)
 4: Yellow
 5: Green
 6: Blue
 8: Grey

Nonstandard colors
 Mins could apply

5	Flange with screw	Steel / M2.0	Cr3+ plated	2
4	Terminal	Copper Alloy	Tin plated	2xN
3	Wire guard	Stainless steel		2xN
2	Cover	PA66 UL94V-0		1
1	Body	PA66 UL94V-0		1

ITEM	NAME OF PART	MATERIAL	NOTES	Q'TY
DWG.	DATE	UNITS:	MM	SHEET: 1 OF 1
CHK.	DATE	SCALE:	NONE 3:1	REV.: A
APP.	DATE	TITLE:	OSTVW SERIES 3.5MM WITH FLANGE	X. ±0.50
		PART NO.	OSTVWXX1001	X.XX ±0.30
		DWG NO.	OSTVWXX1001.DWG	X° ±1°

REV	△	SIGN	DESCRIPTION	CHK.	DATE



ON-SHORE TECHNOLOGY, INC.

