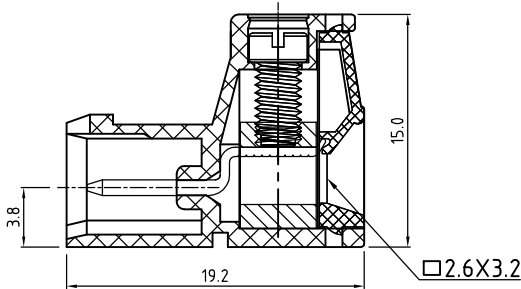
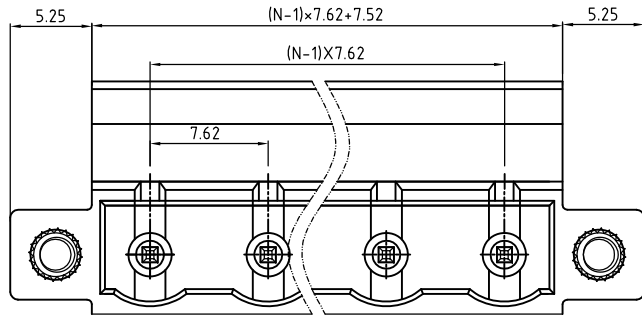
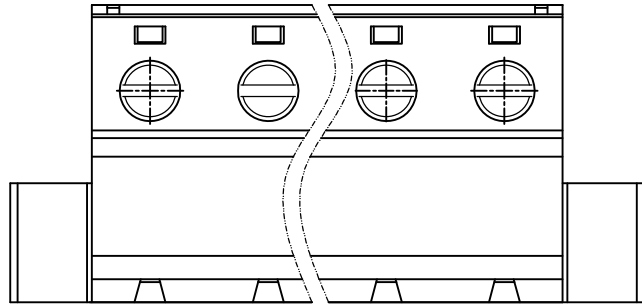


Transfer or duplication of this document as well as the utilisation or communication of its content are not permitted unless express consent is granted. Violations give rise to claims for damages. All rights reserved in case of patent, utility model or design patent registrations.



Technical Data:  
 Electrical  
 Pitch: 7.62mm  
 Voltage rating: 300V  
 Current rating: 16 Amps  
 Contact resistance: 20mΩ(max)  
 Withstanding Voltage: 2500VAC(1min) Test time=60sec/1pcs  
 Wire range: 12-26AWG  
 Wire strip length: 7-8mm  
 Mechanical:  
 Torque: 5.0kgf.cm/M3  
 Operating temperature: -40°C to +105°C  
 Soldering temperature  
 Temperature= 250°C±10°C /5 seconds max  
 Safety approval:   
 RoHS Compliance

Part No.:

**OSTV8XX0151**

No. of Poles	COLOR
02 2 Poles	0: Black
03 3 Poles	2: Red
... ..	3: Orange
24 24 Poles	4: Yellow
	5: Green (Standard)
Nonstandard colors	6: Blue
Mins could apply	8: Grey

6	Flange nut	Copper Alloy		2	
5	Screw	Steel / M3.0	Cr3+ plated	1xN	
4	Contact	Copper Alloy	Ni plated	1xN	
3	Terminal	Copper Alloy	Tin plated	1xN	
2	Cover	PA66 UL94V-0		1	
1	Body	PA66 UL94V-0		1	
ITEM	NAME OF PART	MATERIAL	NOTES	Q"TY	
DWG.	DATE	UNITS:	MM	SHEET: 1 OF 1	Tolerance
CHK.	DATE	SCALE:	NONE 3:1 ( : )	REV.: A	X. ±0.50
APP.	DATE	TITLE:	OSTV8 SERIES 7.62MM		X.X ±0.30
			FLANGE WITH NUT		X.XX ±0.10
		PART NO.	OSTV8XX0151		X° ±1°
		DWG NO.	OSTV8XX0151.DWG		

REV	△	SIGN	DESCRIPTION	CHK.	DATE



ON-SHORE TECHNOLOGY, INC.