
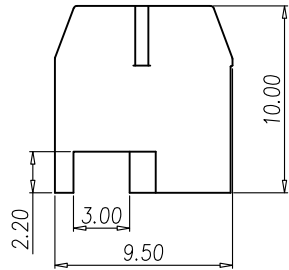
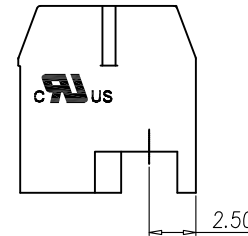
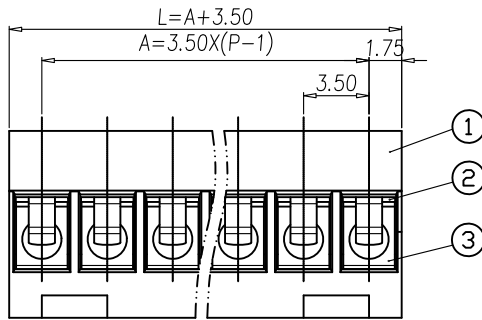
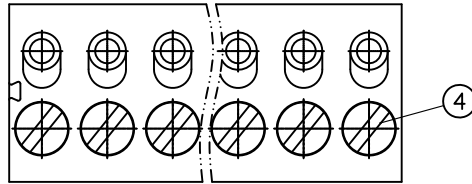


Transfer or duplication of this document as well as the utilisation or communication of its content are not permitted unless express consent is granted. Violations give rise to claims for damages. All rights reserved in case of patent, utility model or design patent registrations.

SPECIFICATIONS

Rating:300V/10A
 Insulation Withstanding Voltage:AC1600V/MIN
 Wire range: 28AWG~16AWG
 Insulation Resistance:500MΩ or more at DC500V
 Contact Resistance: ≤5mΩ
 Temperature Range:-40℃~+115℃
 Screw Torque Value:0.2N·m~0.25N·m
 Strip length:4.5mm
 Mating with Pin:φ1.0mm
 RoHS compliant
 Approval: 



Part No.:

OSTTHXX2150

No. of Poles
 02 2 Poles
 03 3 Poles

 24 24 Poles

COLOR
 0: Black
 2: Red
 3: Orange
 4: Yellow
 5: Green (Standard)
 6: Blue
 8: Grey

Nonstandard colors
 Mins could apply

4	Screw	Steel / M2.0	Zn plated	1xN
3	Wire guard	Copper Alloy	Ni plated	1xN
2	Terminal	Copper Alloy	Tin plated	1xN
1	Body	PA66 UL94V-0		1
ITEM	NAME OF PART	MATERIAL	NOTES	Q'TY
DWG	DATE	UNITS: MM	SHEET: 1 OF 1	Tolerance
CHK.	DATE	SCALE: NONE 6:1 (:)	REV: A	X. ±0.50
APP.	DATE	TITLE: OSTTH SERIES 3.5MM		X.X ±0.30
		PART NO. OSTTHXX2150		X* ±1°
REV	△ SIGN	DESCRIPTION	CHK.	DATE
		ON-SHORE TECHNOLOGY, INC.	DWG NO. OSTTHXX2150.DWG	⊕

