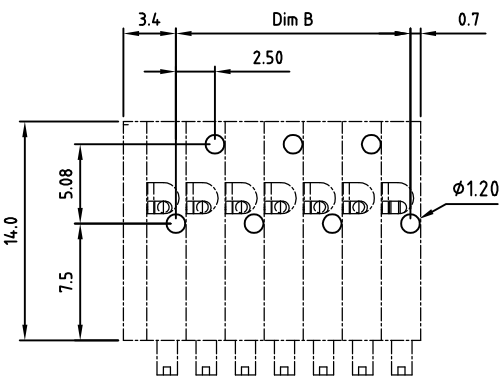
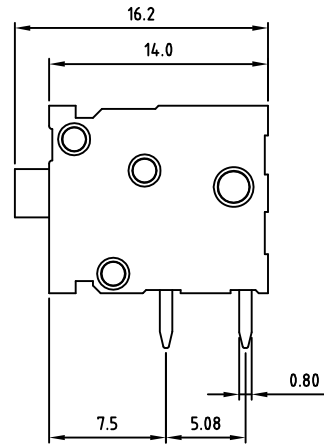
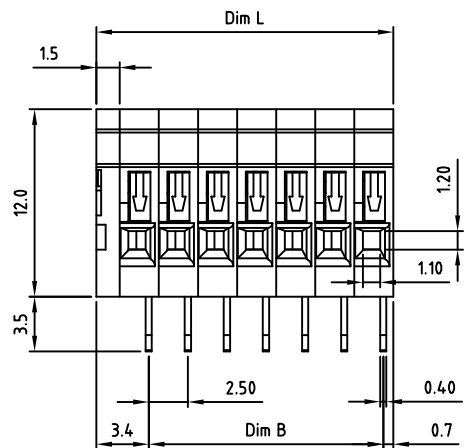
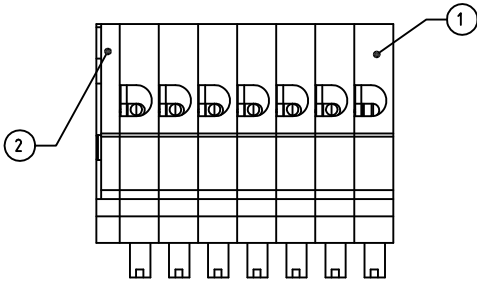
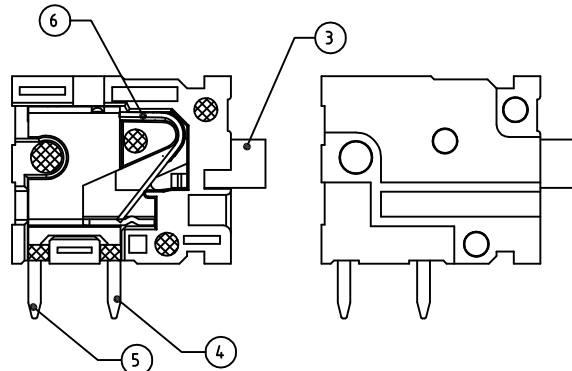
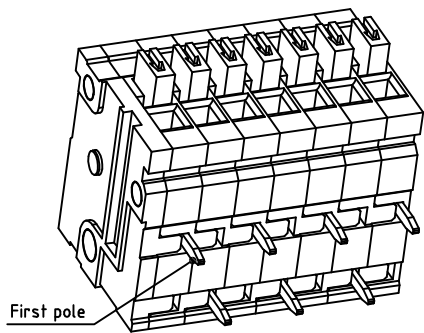
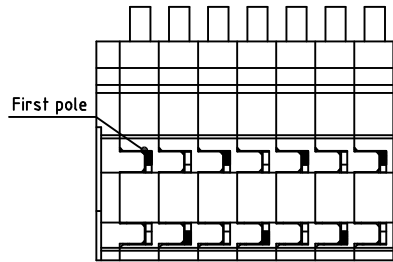


Transfer or duplication of this document as well as the utilisation or communication of its content are not permitted unless express consent is granted. Violations give rise to claims for damages. All rights reserved in case of patent, utility model or design patent registrations.



PCB LAYOUT



- Technical data**
- Nominal voltage: 150V/6A  
PITCH:2.5mm
  - Connection capacity:  
AWG 26-18
  - Insulation Withstanding Voltage:  
AC 1300V/MIN
  - Insulation Resistance:  
1000MΩ or more at DC500V
  - Stripping length: 9-10mm
  - Operating temperature range:-40°C ~ 115°C  
Soldering temperature:250°C±10°C /5s
  - Undimensioned Tolerances:

Dim.L=Px2.5+1.5		
Dim.B=(P-1)x2.5		
P= number of poles(1-24P)		
0-30mm	Dim B	Dim L
over 30mm-60mm	±0.15	±0.20
over 60mm-90mm	±0.25	±0.30
over 90mm	±0.30	±0.40

- Safety approval:
- RoHS Compliance

Part No.:

**OSTNAXXB181**

No. of Poles	COLOR
02 2 Poles	0: Black
03 3 Poles	2: Red
...	3: Orange
24 24 Poles	4: Yellow
	5: Green
	6: Blue
	8: Grey (Standard)

Nonstandard colors  
Mins could apply

ITEM	NAME OF PART	MATERIAL	NOTES	Q"TY
6	WIRE GUARD	Stainless steel		P
5	Back Sigle Contact	BRASS	Tin PLATED	1/2P
4	Front Sigle Contact	BRASS	Tin PLATED	1/2P
3	LEVEL	PA66 UL94V-0	ALL COLOR	P
2	End COVER	PA66 UL94V-0	ALL COLOR	1
1	BODY	PA66 UL94V-0	ALL COLOR	P

DWG	WF. Zhang	DATE	2017.07.27	UNITS:	MM	SHEET:	1 OF 1	Tolerance
CHK.	WF. Zhang	DATE	2017.09.06	SCALE:	NONE 3:1 ( : )	REV:	A	X. ±0.50
APP.		DATE		TITLE:	OSTNA 2.50 Series 180D			X.XX ±0.30
					wire inlet (Horizontal)			X* ±1.0
				PART NO.	OSTNAXXB181			X* ±1°
				DWG NO.	OSTNAXXB181.dwg			



△	DESCRIPTION	CHK.	DATE
SIGN			

ON-SHORE TECHNOLOGY, INC.