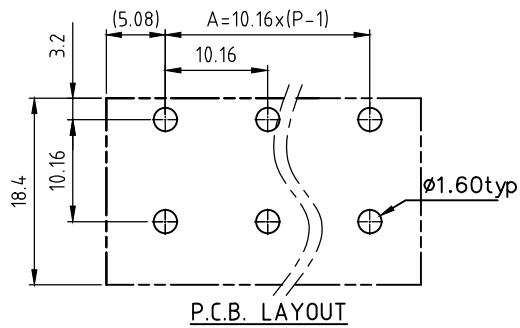


Transfer or duplication of this document as well as the utilisation or communication of its content are not permitted unless express consent is granted. Violations give rise to claims for damages. All rights reserved in case of patent, utility model or design patent registrations.



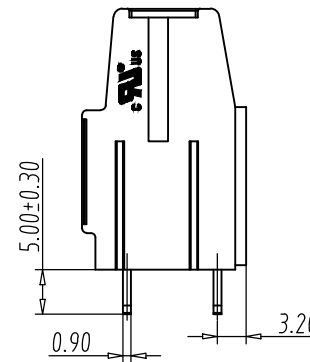
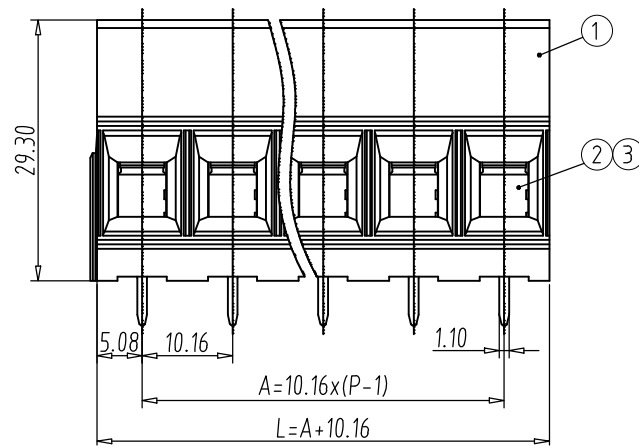
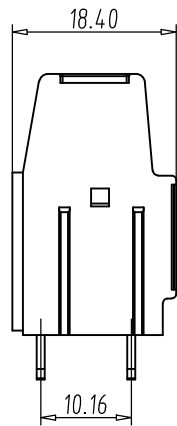
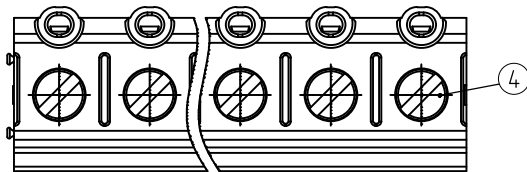
Technical Data:

Electrical

- Pitch: 10.16mm
- Voltage rating: 300 V
- Current rating: 65 Amps
- Contact resistance: $\leq 5m\Omega$
- Withstanding Voltage: 1600VAC(1min) Test time=60sec/1pcs
- Insulation Resistance: 500M Ω (min) at DC500V
- Wire range: 6-20 AWG
- Wire strip length: 10-11mm

Mechanical:

- Torque: 1.8Nm max/M4
- Operating temperature: -40°C to +105°C
- Soldering temperature
Temperature= 260°C $\pm 10^\circ$ C /5 seconds max
- Safety approval:
- RoHS Compliance



Part No.:

OSTKQXX6250

- No. of Poles**
- 02 2 Poles
 - 03 3 Poles
 -
 - 16 16 Poles

- COLOR**
- 0: Black
 - 2: Red
 - 3: Orange
 - 4: Yellow
 - 5: Green (Standard)
 - 6: Blue
 - 8: Grey

Nonstandard colors
Mins could apply

4	Screw	Steel / M4.0	Zinc plated	1xN
3	Block	Copper Alloy	Ni plated	1xN
2	Solder Pin	Copper Alloy	Tin plated	1xN
1	Body	PA66 UL94V-0		1
ITEM	NAME OF PART	MATERIAL	NOTES	Q'TY

DWG.	DATE	UNITS:	MM	SHEET:	1 OF 1	Tolerance
CHK.	DATE	SCALE:	NONE 2:1 (:)	REV.:	A	X. ± 0.50
APP.	DATE	TITLE:	OSTKQ SERIES 10.16MM 2 x SINGLE ROW			X.X ± 0.30
		PART NO.	OSTKQXX6250			X.XX ± 0.10
		DWG NO.	OSTKQXX6250.DWG			X° $\pm 1^\circ$



ON-SHORE TECHNOLOGY, INC.

REV	SIGN	DESCRIPTION	CHK.	DATE