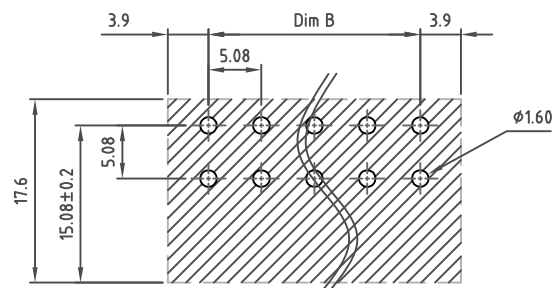
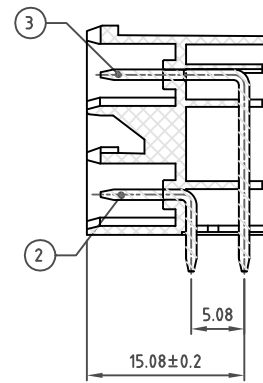
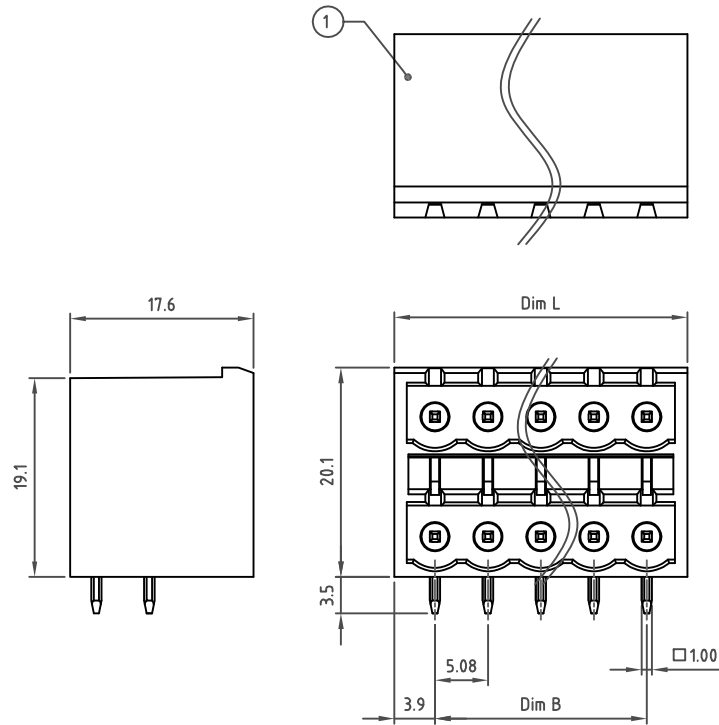


Transfer or duplication of this document as well as the utilisation or communication of its content are not permitted unless express consent is granted. Violations give rise to claims for damages. All rights reserved in case of patent, utility model or design patent registrations.



Footprint for information only

Technical data

- 1.Nominal voltage: 300V/12A (IEC 320/12A)
PITCH:5.08mm
- 2.Insulation Withstanding Voltage:
AC 1600V/MIN (AC 2200V/MIN)
- 3.Insulation Resistance:
1000MΩ or more at DC500V
- 6.Operating temperature range:-40°C ~ 115°C
Soldering temperature:250±10°C /5s
- 7.Undimensioned Tolerances:

Dim.L=(P-1)x5.08+7.8		
Dim.B=(P-1)x5.08		
P=1/2 Number of poles (4-48P)		
	Dim B	Dim L
0-30mm	±0.15	±0.20
over 30mm-60mm	±0.20	±0.25
over 60mm-90mm	±0.25	±0.30
over 90mm	±0.30	±0.40
Normal Geometric Tolerancing		
	—	≡
0-100mm	±0.25	±0.30
over 100mm-150mm	±0.30	±0.30
over 150mm	±0.50	±0.30
	⊥	
0-10mm	±0.20	
over 10mm	±0.30	

- 8.Safety approval: Pending
- 9.RoHS Compliance

Part No.: **OSTKEXX5153**

No. of Poles	COLOR
02 2 Poles	0: Black
03 3 Poles	2: Red
...	3: Orange
24 24 Poles	4: Yellow
	5: Green (Standard)
	6: Blue
	8: Grey

Nonstandard colors
Mins could apply

3	PIN 2	COPPER	TIN PLATED	1/2P	
2	PIN 1	COPPER	TIN PLATED	1/2P	
1	BODY	PA66 UL94V-0	ALL COLOR	1	
ITEM	NAME OF PART	MATERIAL	NOTES	Q"TY	
DWG	WF. Zhang	DATE 2018.11.15	UNITS: MM	SHEET: 1 OF 1	Tolerance
CHK.	WF. Zhang	DATE 2018.11.15	SCALE: NONE 2:1 (:)	REV: A	X. ±0.50
APP.		DATE	TITLE: OSTKE5.08 Series Close type Right angle (90D)		X.XX ±0.30
			PART NO. OSTKEXX5153		X* ±1°
			DWG NO. OSTKEXX5153.dwg		

REV	△	DESCRIPTION	CHK.	DATE
-----	---	-------------	------	------



ON-SHORE TECHNOLOGY, INC.