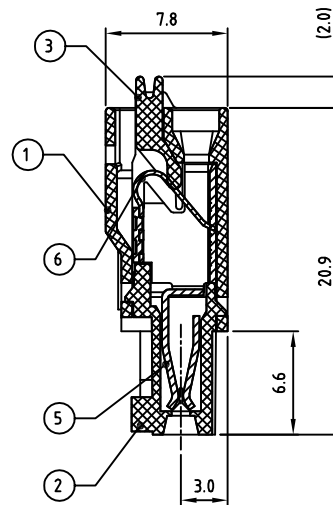
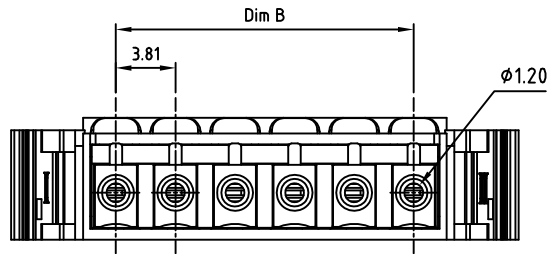
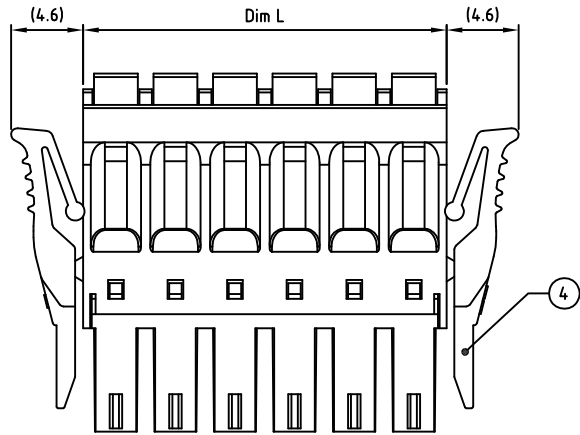
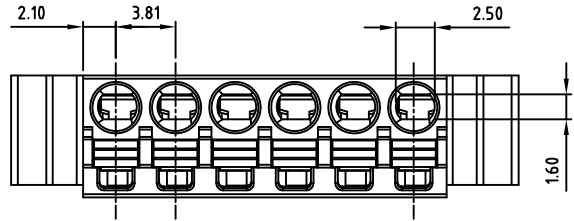


Transfer or duplication of this document as well as the utilisation or communication of its content are not permitted unless express consent is granted. Violations give rise to claims for damages. All rights reserved in case of patent, utility model or design patent registrations.



Technical data

1. Nominal voltage: 150V/8A
PITCH: 3.81mm
2. Connection capacity:
AWG 24-16
3. Insulation Withstanding Voltage:
AC 1300V/MIN
4. Insulation Resistance:
1000M Ω or more at DC500V
5. Stripping length: 9-10mm
6. Operating temperature range: -40°C ~ 115°C
7. Undimensioned Tolerances:

Dim.L=(P-1)x3.81+4.2		
Dim.B=(P-1)x3.81		
P= number of poles		
0-30mm	Dim B	Dim L
over 30mm-60mm	± 0.15	± 0.20
over 60mm-90mm	± 0.20	± 0.25
over 90mm	± 0.25	± 0.30
		± 0.30
		± 0.40

8. Safety approval:

9. RoHS Compliance

Part No.: **OSTKDXX3052**

No. of Poles	COLOR
02 2 Poles	0: Black
03 3 Poles	2: Red
...	3: Orange
24 24 Poles	4: Yellow
	5: Green (Standard)
	6: Blue
	8: Grey

Nonstandard colors
Mins could apply

6	WIRE GUARD	Stainless steel		P	
5	CONTACT	BRONZE (PhBz)	TIN PLATED	P	
4	LOCKING	PA66 UL94V-0	GREEN	2	
3	LEVEL	PBT UL94V-0	ORANGE	P	
2	COVER	PA66 UL94V-0	GREEN	1	
1	BODY	PA66 UL94V-0	GREEN	1	
ITEM	NAME OF PART	MATERIAL	NOTES	Q"TY	
DWG	WF. Zhang	DATE 2018.04.18	UNITS: MM	SHEET: 1 OF 1	Tolerance
CHK.	WF. Zhang	DATE 2018.04.18	SCALE: NONE 3:1 (:)	REV: A	X. ± 0.50
APP.		DATE	TITLE: OSTKD 3.81 Series		X.X ± 0.30
			with self-locking flange type		X* ± 1.0
			PART NO. OSTKDXX3052		$\pm 1^{\circ}$
			DWG NO. OSTKDXX3052.dwg		

SIGN	DESCRIPTION	CHK.	DATE	



ON-SHORE TECHNOLOGY, INC.