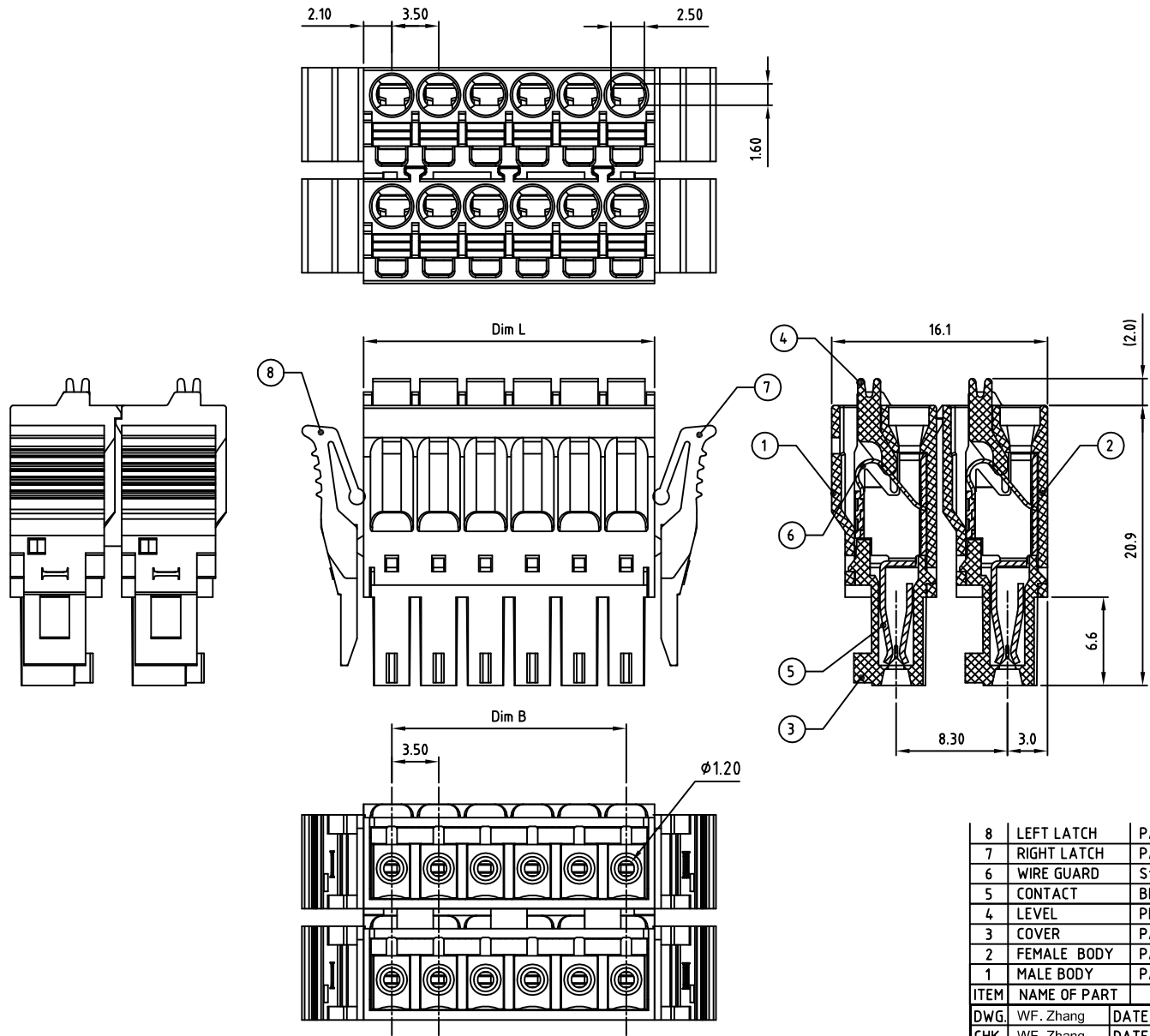


Transfer or duplication of this document as well as the utilisation or communication of its content are not permitted unless express consent is granted. Violations give rise to claims for damages. All rights reserved in case of patent, utility model or design patent registrations.



Technical data

1. Nominal voltage: 150V/8A
PITCH: 3.5mm
2. Connection capacity:
AWG 24-16
3. Insulation Withstanding Voltage:
AC 1300V/MIN
4. Insulation Resistance:
1000MΩ or more at DC500V
5. Stripping length: 9-10mm
6. Operating temperature range: -40°C ~ 115°C
7. Undimensioned Tolerances:

Dim.L=(P-1)x3.5+4.2		
Dim.B=(P-1)x3.5		
P= 1/2number of poles(04-48)		
	Dim B	Dim L
0-30mm	±0.15	±0.20
over 30mm-60mm	±0.20	±0.25
over 60mm-90mm	±0.25	±0.30
over 90mm	±0.30	±0.40

8. Safety approval:
9. RoHS Compliance

Part No.:

OSTKDX1052A

No. of Poles	COLOR
02 2 Poles	0: Black
03 3 Poles	2: Red
...	3: Orange
24 24 Poles	4: Yellow
	5: Green (Standard)
	6: Blue
	8: Grey

Nonstandard colors
Mins could apply

ITEM	NAME OF PART	MATERIAL	NOTES	Q"TY
8	LEFT LATCH	PA66 UL94V-0	ALL COLOR	2
7	RIGHT LATCH	PA66 UL94V-0	ALL COLOR	2
6	WIRE GUARD	Stainless steel		P
5	CONTACT	BRONZE (PhBz)	TIN PLATED	P
4	LEVEL	PBT UL94V-0	ORANGE	P
3	COVER	PA66 UL94V-0	ALL COLOR	2
2	FEMALE BODY	PA66 UL94V-0	ALL COLOR	1
1	MALE BODY	PA66 UL94V-0	ALL COLOR	1

DWG	WF. Zhang	DATE	2018.01.24	UNITS:	MM	SHEET:	1 OF 1	Tolerance
CHK.	WF. Zhang	DATE	2018.04.14	SCALE:	NONE 3:1 (:)	REV:	A	X. ±0.50
APP.		DATE		TITLE:	OSTKD 3.5 Series With Latch type Double type			X.XX ±0.30
				PART NO.	OSTKDX1052A			X° ±1°
				DWG NO.	OSTKDX1052A.dwg			

△	SIGN	DESCRIPTION	CHK.	DATE



ON-SHORE TECHNOLOGY, INC.