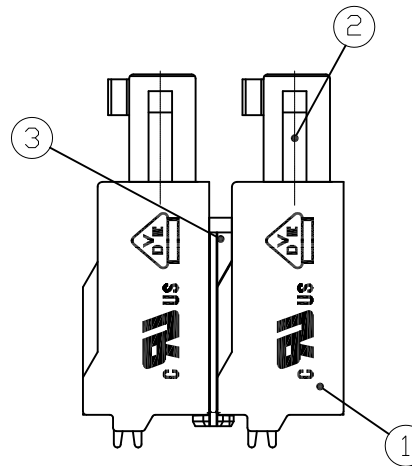
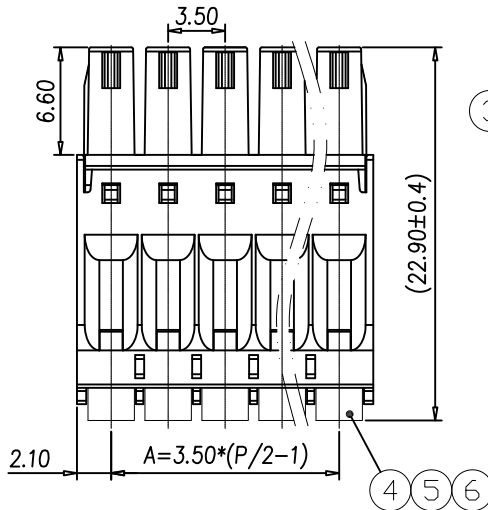
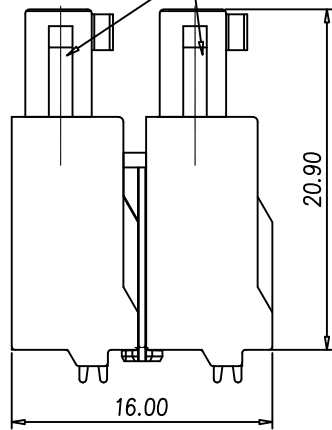
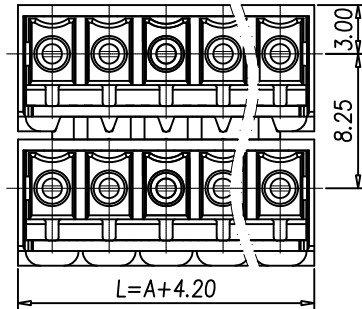


Transfer or duplication of this document as well as the utilisation or communication of its content are not permitted unless express consent is granted. Violations give rise to claims for damages. All rights reserved in case of patent, utility model or design patent registrations.

Technical data

- 1.Nominal voltage: 300V/8A
PITCH:3.5mm
- 2.Connection capacity:
AWG 28-16
- 3.Insulation Withstanding Voltage:
AC 1600V/MIN
- 4.Insulation Resistance:
500M Ω or more at DC500V
- 5.Stripping length: 9.5~10.5mm
- 6.Operating temperature range:-40°C ~ 115°C
- 7.Safety approval:
- 8.RoHS Compliance

04P-14P With rising point
16P-48P No rising point



Part No.: **OSTKDXX1050A**

No. of Poles	COLOR
02 2 Poles	0: Black
03 3 Poles	2: Red
... ..	3: Orange
24 24 Poles	4: Yellow
	5: Green (Standard)
	6: Blue
	8: Grey

Nonstandard colors
Mins could apply

6	CLAMP	COPPER ALLOY	TIN PLATED	P	
5	SPRING	STAINLESS STEEL		P	
4	LEVER	POM	ORANGE	P	
3	INTER SHEET	PA66 UL94V-0		1	
2	COVER	PA66 UL94V-0		2	
1	HOUSING	PA66 UL94V-0		2	
ITEM	NAME OF PART	MATERIAL	NOTES	Q'TY	
DWG	WF. Zhang	DATE 2018.01.24	UNITS: MM	SHEET: 1 OF 1	Tolerance
CHK.	WF. Zhang	DATE 2018.04.14	SCALE: NONE 3:1 (:)	REV: A	SEE CHART
APP.		DATE	TITLE: OSTKD 3.5 Series W/o flange type Double type		
			PART NO. OSTKDXX1050A		
			DWG NO. OSTKDXX1050A.dwg		

Total Pitch Tolerances in mm										Nominal dimension range in mm									
over	to	over	to	over	to	over	to	over	to	over	to	over	to	over	to	over	to	over	to
0	30	53	70	90	115	150	200	250	300	0	30	53	70	90	115	150	200	250	320
±0.20	±0.25	±0.3	±0.35	±0.44	±0.55	±0.70	±0.85	±1.00	±0.25	±0.30	±0.35	±0.44	±0.55	±0.70	±0.80	±0.90	±1.20		

	UPDATED DRAWING	2021.01.25
SIGN	DESCRIPTION	CHK. DATE



ON-SHORE TECHNOLOGY, INC.