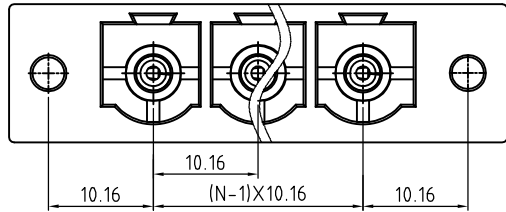
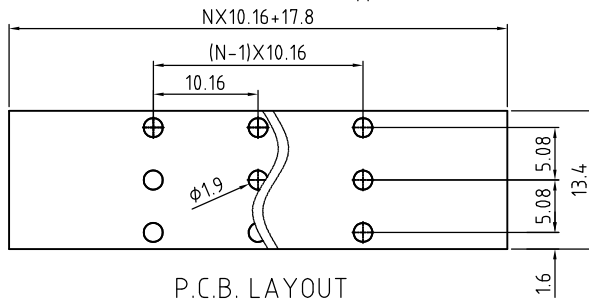
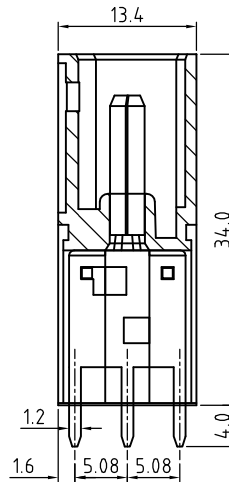
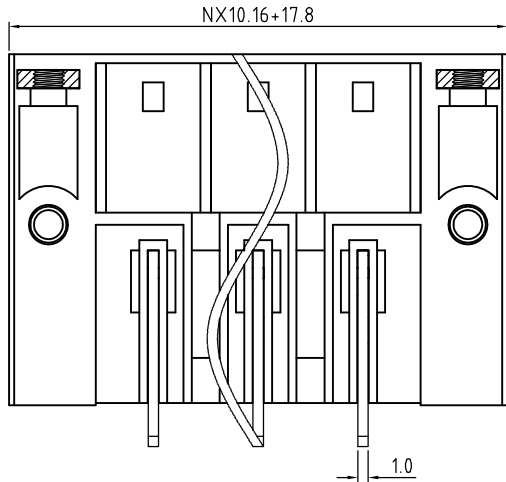


Transfer or duplication of this document as well as the utilisation or communication of its content are not permitted unless express consent is granted. Violations give rise to claims for damages. All rights reserved in case of patent, utility model or design patent registrations.



N=Number of contacts



P.C.B. LAYOUT

Technical Data:

Electrical

Pitch: 10.16MM

Voltage rating: 300V

Current rating: 60Amps

Withstanding Voltage: 2500VAC(1min) Test time=60sec/1pcs

Mechanical:

Operating temperature: -40°C to +105°C

Soldering temperature:

Temperature= 250°C±10°C

5 seconds max

Safety approval:

RoHS Compliance

Part No.:

**OSTEWXX6250**

No. of Poles  
 02 2 Poles  
 03 3 Poles  
 ... ..  
 24 24 Poles

COLOR  
 0: Black  
 2: Red  
 3: Orange  
 4: Yellow  
 5: Green (Standard)  
 6: Blue  
 8: Grey

Nonstandard colors  
 Mins could apply

3	Flange nut	C1018A	Ni plated	2
2	Terminal	Copper Alloy	Tin plated	1xN
1	Body	PA66-30%GF UL94V		1
ITEM	NAME OF PART	MATERIAL	NOTES	Q"TY
DWG.	DATE	UNITS: MM	SHEET: 1 OF 1	Tolerance
CHK.	DATE	SCALE: NONE 2:1 ( : )	REV.: A	X. ±0.50
APP.	DATE	TITLE: OSTEW SERIES 10.16MM VERTICAL WITH FLANGE		X.XX ±0.30
		PART NO. OSTEWXX6250		X° ±1°
		DWG NO. OSTEWXX6250.DWG		

REV	△	DESCRIPTION	CHK.	DATE



ON-SHORE TECHNOLOGY, INC.