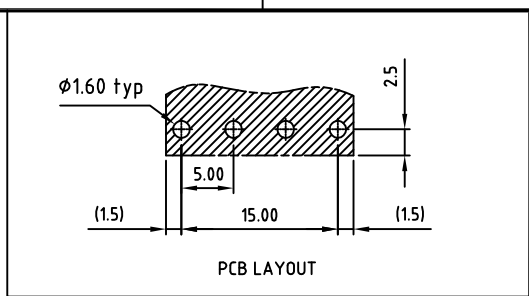
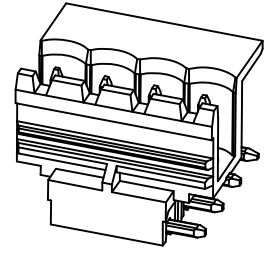
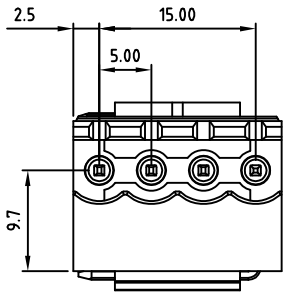
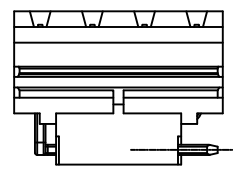
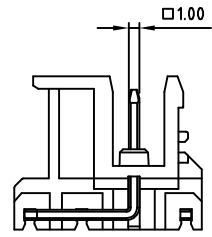
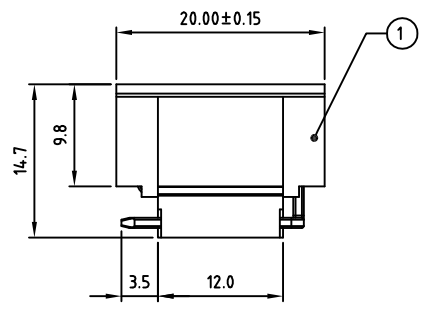
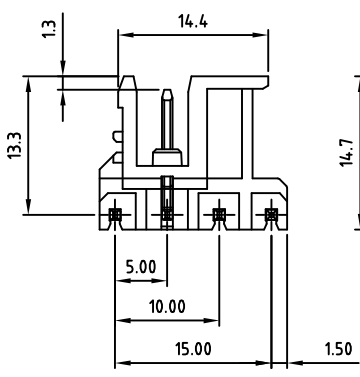


Transfer or duplication of this document as well as the utilisation or communication of its content are not permitted unless express consent is granted. Violations give rise to claims for damages. All rights reserved in case of patent, utility model or design patent registrations.



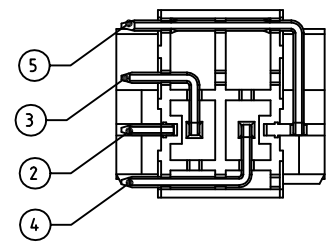
- Technical data**
- Nominal voltage: 300V/15A
PITCH:5.00mm
 - Insulation Withstanding Voltage:
AC 1600V/MIN
 - Insulation Resistance:
1000MΩ or more at DC500V
 - Operating temperature range:-40°C ~ 115°C
 - Soldering temperature range:250°C±10°C/5sec
 - Safety approval:
 - RoHS Compliance



Part No.: **OSTEU047050**

- COLOR**
- 0: Black
 - 2: Red
 - 3: Orange
 - 4: Yellow
 - 5: Green (Standard)
 - 6: Blue
 - 8: Grey

Nonstandard colors
Mins could apply



ITEM	NAME OF PART	MATERIAL	NOTES	Q"TY
5	PIN-05	COPPER	TIN PLATED	1
4	PIN-03	COPPER	TIN PLATED	1
3	PIN-02	COPPER	TIN PLATED	1
2	PIN-01	COPPER	TIN PLATED	1
1	BODY	PA66 UL94V-0		1

DWG	Marvin Zhang	DATE	2017.10.16	UNITS:	MM	SHEET:	1 OF 1	Tolerance
CHK.	Marvin Zhang	DATE	2018.06.13	SCALE:	NONE 2:1 (:)	REV:	A	X. ±0.50
APP.		DATE		TITLE:	OSTEU5.0 Series 4P Header "PCB on the Left"			
				PART NO.	OSTEU047050			
				DWG NO.	OSTEU047050.dwg			

△	DESCRIPTION	CHK.	DATE
SIGN			



ON-SHORE TECHNOLOGY, INC.