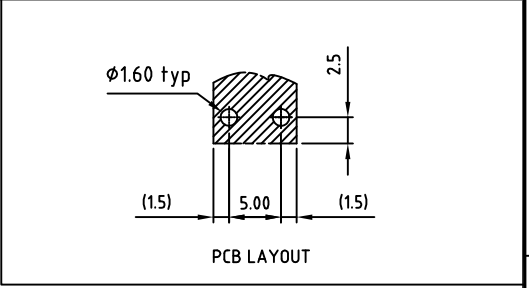
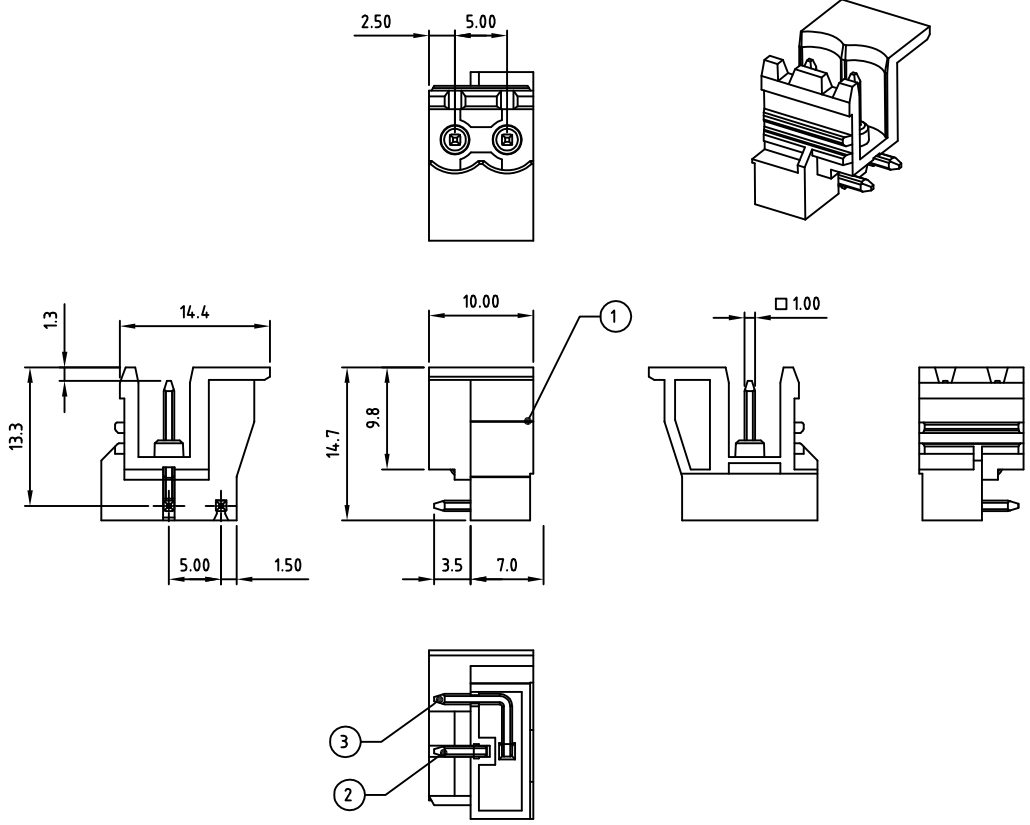


Transfer or duplication of this document as well as the utilisation or communication of its content are not permitted unless express consent is granted. Violations give rise to claims for damages. All rights reserved in case of patent, utility model or design patent registrations.



- Technical data**
- 1.Nominal voltage: 300V/15A  
PITCH:5.00mm
  - 2.Insulation Withstanding Voltage:  
AC 1600V/MIN
  - 3.Insulation Resistance:  
1000MΩ or more at DC500V
  - 4.Operating temperature range:-40°C 115°C
  - 5.Soldering temperature range:250°C±10°C/5sec
  - 6.Safety approval:
  - 7.RoHS Compliance

Part No.:  
**OSTEU027050**

- COLOR**
- 0: Black
  - 2: Red
  - 3: Orange
  - 4: Yellow
  - 5: Green (Standard)
  - 6: Blue
  - 8: Grey

Nonstandard colors  
Mins could apply

ITEM	NAME OF PART	MATERIAL	NOTES	Q"TY	
3	PIN-02	COPPER	TIN PLATED	1	
2	PIN-01	COPPER	TIN PLATED	1	
1	BODY	PA66 UL94V-0		1	
DWG	Marvin Zhang	DATE 2017.10.16	UNITS: MM	SHEET: 1 OF 1	Tolerance
CHK.	Marvin Zhang	DATE 2018.06.13	SCALE: NONE 2:1 ( : )	REV: A	X. ±0.50
APP.		DATE	TITLE: OSTEU5.0 Series 2P Header "PCB on the Left"		X.XX ±0.30
			PART NO. OSTEU027050		X* ±0.10
			DWG NO. OSTEU027050.dwg		±1°

△	DESCRIPTION	CHK.	DATE
SIGN			



ON-SHORE TECHNOLOGY, INC.