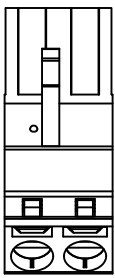
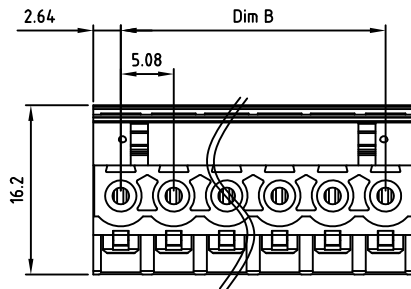
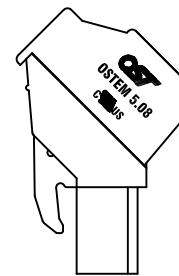
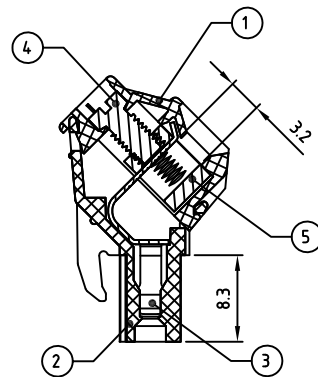
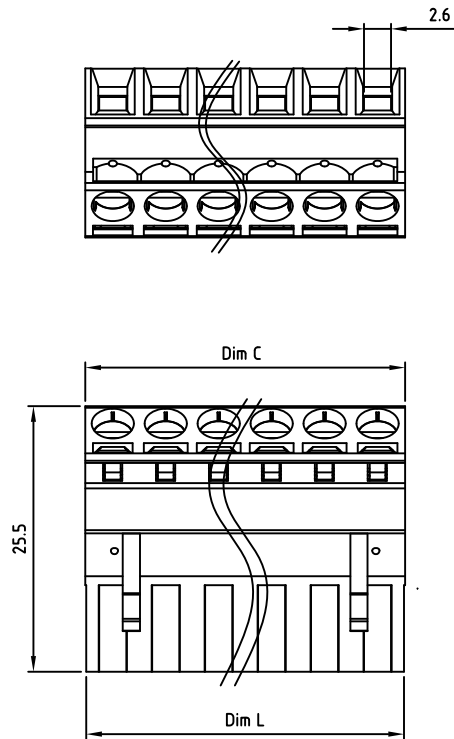
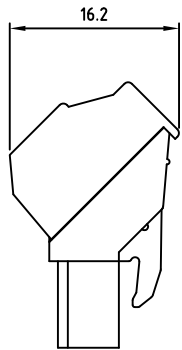


Transfer or duplication of this document as well as the utilisation or communication of its content are not permitted unless express consent is granted. Violations give rise to claims for damages. All rights reserved in case of patent, utility model or design patent registrations.



2p HOOK

Technical data

- 1.Nominal voltage: 300V/15A
PITCH:5.08mm
- 2.Connection capacity:
AWG 30-12
- 3.Insulation Withstanding Voltage:
AC 1600V/MIN
- 4.Insulation Resistance:
1000MΩ or more at DC500V
- 5.Tightening torque:
4.3Lb-in (0.5N.m/5.0kgf.cm)
- 6.Screw thread: M3
- 7.Stripping length: 7-8mm
- 8.Temperature range:-40C°- 115C°
- 9.Undimentioned Tolerances:

Dim.L=Px5.08		
Dim.B=(P-1)x5.08		
Dim.C=Px5.08+0.2		
P= number of poles (2-24)		
	Dim B	Dim L
0-30mm	±0.15	±0.20
over 30mm-60mm	±0.20	±0.25
over 60mm-90mm	±0.25	±0.30
over 90mm	±0.30	±0.40

- 10.Safety approval:
- 11.RoHS Compliance

OSTEMXX5150

- ① Poles 02-24
- ② Color
- 0 Black 3 Orange 4 Yellow 5 Green (STD)
- 6 Blue 8 Gray

5	CAGE	BRASS	M3.0x0.5, Ni PLATED	P	
4	SCREW	STEEL	M3.0x0.5, Zn Plated	P	
3	WIRE GUARD	BRONZE (PhBz)	TIN PLATED	P	
2	COVER	PA66 UL94V-0	ALL COLOR	1	
1	BODY	PA66 UL94V-0	ALL COLOR	1	
ITEM	NAME OF PART	MATERIAL	NOTES	Q"TY	
DWG	WF. Zhang	DATE 2020.11.05	UNITS: MM	SHEET: 1 OF 1	Tolerance
CHK.	WF. Zhang	DATE 2020.11.05	SCALE: NONE 2:1 (:)	REV: A	X. ±0.50
APP.		DATE	TITLE: OSTEM Series "L"		X.XX ±0.30
			slot screw		X° ±1°
			PART NO. OSTEMXX5150		
			DWG NO. OSTEMXX5150.DWG		

REV	△	SIGN	DESCRIPTION	CHK.	DATE
-----	---	------	-------------	------	------



ON-SHORE TECHNOLOGY, INC.