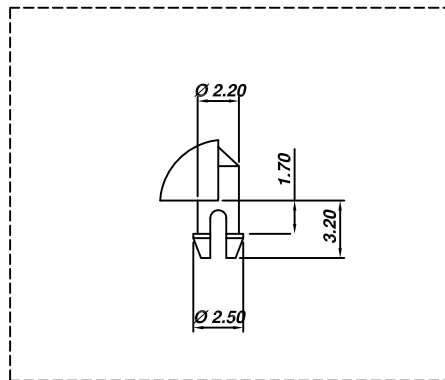
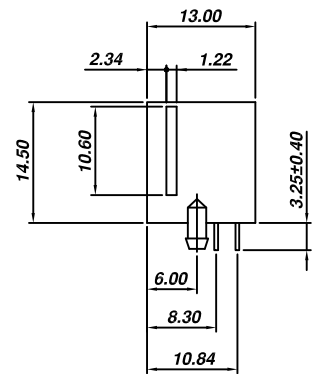
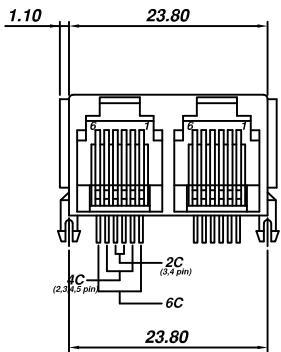


SIGN	DATE	DESCRIPTION	APPROVER
		<i>THIS IS CAD DRAWING, DO NOT REVISE MANUALLY!!!</i>	



Material:

- Housing: PBT Glass Filled (UL 94V-0)
- Color: Black Std./Medium Gray
- Spring Wire: 0.45mm Diameter Phosphor Bronze
Gold Plating over Nickel
- Temp. Range: -40°C/+85°C
- Durability: 500 Mating cycles Min.
- Soldering Temp: 235°C for 5 Sec.

Electrical:

- Current rating: 1.5A Max.
- Voltage rating: 120V AC
- Insulation Resistance: 500 MΩ Min.
- Contact Resistance: 20mΩ Max.
- Dielectric Voltage: 1,000 Vrms for 60 sec. min.

RoHS Compliant

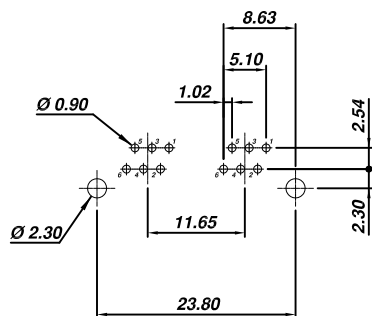
Part Number:

GJ026-6PXCX2

-G for Gray

No. of Contacts
2, 4 or 6

Gold plating
1=6u" 2=15u"
3=30u" 4=50u"



**PCB LAYOUT
(Top View)**

THESE DRAWINGS AND SPECIFICATIONS ARE THE PROPERTY OF ON-SHORE TECHNOLOGY, INC. AND SHALL NOT BE REPRODUCED, COPIED OR USED IN ANY MANNER WITHOUT THE PRIOR WRITTEN CONSENT OF ON-SHORE TECHNOLOGY, INC.



TITLE		GJ026, 6 pos, 2,4 or 6 cont, side entry, thru hole, 2 port			
PART NO.	GJ026-6PXCX2	DWG NO.	GJ026-6PXCX2.DWG		
APPROVED	CHECKED	DESIGNED	DRAWN	CUST NO.	Tolerance
Billy 2013.05.13	Johnn 2013.05.13	Tony 2013.05.13	Steven 2013.05.13		X.XX ±0.25 X.XXX ±0.13 X.XXXX ±0.05
				UNIT: mm	
				SCALE: NONE	
				REV: A	
				SHEET: 01/01	