

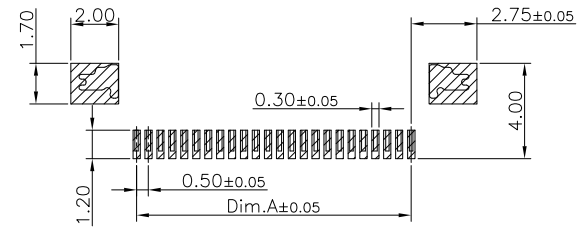
Specifications:  
 Voltage Rating: 50V AC,DC  
 Contact Resistance: 30m ohm.Max  
 Insulation Resistance: 500M ohm.Min  
 Operating Temperature Range: -25°C ~ +85°C

Material:  
 Insulator: LCP(UL94V-0)  
 Insulator Color: Natural  
 Contact: Phosphor Bronze  
 Plated: Gold/Tin Plated  
 Ear: Phosphor Bronze, Tin Plated

How To Order  
 FPC0502XXDXXX  
 TU: Tube  
 TR: Tape/Reel  
 1:Gold Plated  
 5: Tin Plated  
 No. of Contacts

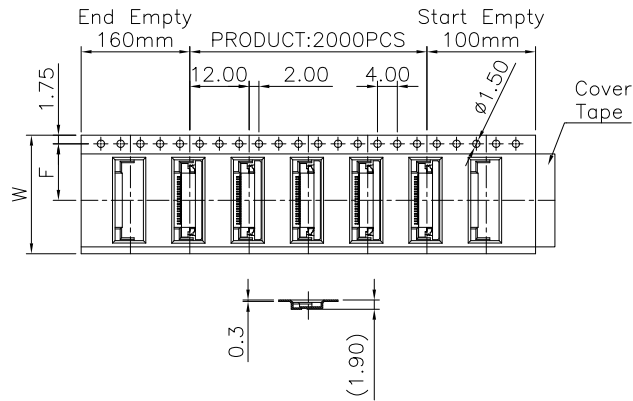
Dimension Information:

Pin.No	Dim.A	Dim.B	Dim.C	Pin.No	Dim.A	Dim.B	Dim.C	Pin.No	Dim.A	Dim.B	Dim.C	Pin.No	Dim.A	Dim.B	Dim.C	Pin.No	Dim.A	Dim.B	Dim.C
04	1.50	2.56	7.96	17	8.00	9.06	14.46	30	14.50	15.56	20.96	43	21.00	22.06	27.46	56	27.50	28.56	33.96
05	2.00	3.06	8.46	18	8.50	9.56	14.96	31	15.00	16.06	21.46	44	21.50	22.56	27.96	57	28.00	29.06	34.46
06	2.50	3.56	8.96	19	9.00	10.06	15.46	32	15.50	16.56	21.96	45	22.00	23.06	28.46	58	28.50	29.56	34.96
07	3.00	4.06	9.46	20	9.50	10.56	15.96	33	16.00	17.06	22.46	46	22.50	23.56	28.96	59	29.00	30.06	35.46
08	3.50	4.56	9.96	21	10.00	11.06	16.46	34	16.50	17.56	22.96	47	23.00	24.06	29.46	60	29.50	30.56	35.96
09	4.00	5.06	10.46	22	10.50	11.56	16.96	35	17.00	18.06	23.46	48	23.50	24.56	29.96				
10	4.00	5.56	10.96	23	11.00	12.06	17.46	36	17.50	18.56	23.96	49	24.00	25.06	30.46				
11	5.00	6.06	11.46	24	11.50	12.56	17.96	37	18.00	19.06	24.46	50	24.50	25.56	30.96				
12	5.50	6.56	11.96	25	12.00	13.06	18.46	38	18.50	19.56	24.96	51	25.00	26.06	31.46				
13	6.00	7.06	12.46	26	12.50	13.56	18.96	39	19.00	20.06	25.46	52	25.50	26.56	31.96				
14	6.50	7.56	12.96	27	13.00	14.06	19.46	40	19.50	20.56	25.96	53	26.00	27.06	32.46				
15	7.00	8.06	13.46	28	13.50	14.56	19.96	41	20.00	21.06	26.46	54	26.50	27.56	32.96				
16	7.50	8.56	13.96	29	14.00	15.06	20.46	42	20.50	21.56	26.96	55	27.00	28.06	33.46				

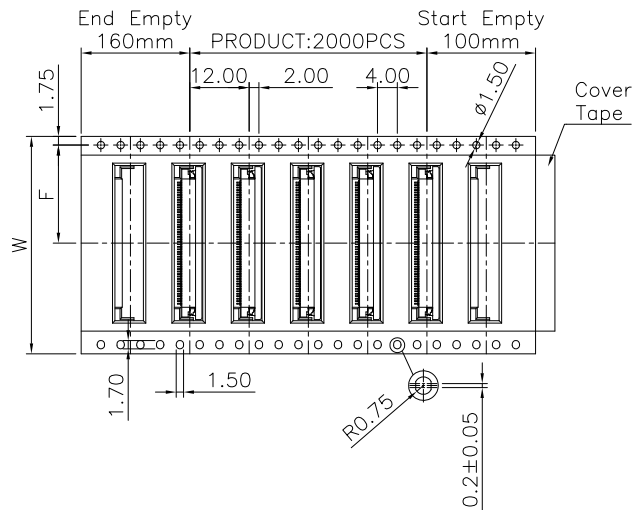


RoHS Compliant

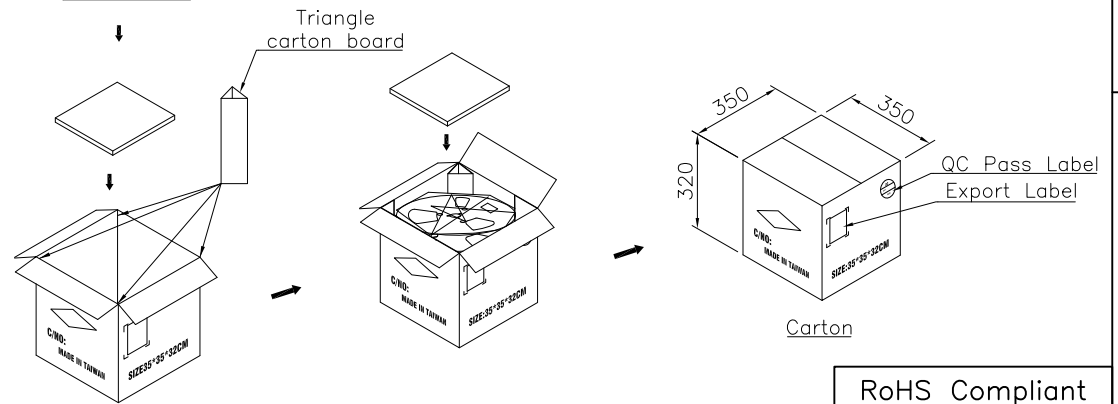
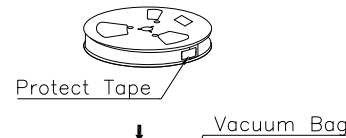
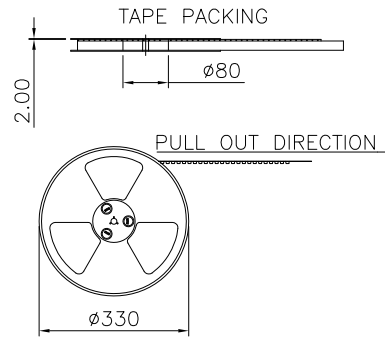
F				DRAWN:	GENERAL TOLERANCE:	 ON-SHORE TECHNOLOGY, INC.	DESCRIPTION: 0.5mm FPC Connector Bottom Contact Type	SIZE
E			MEI	.X=±0.20 .XX=±0.10				
D			CHECKED:	UNIT: MM				
C	02-NOV-2022	Modify P/N	LUCY	JERRY	SCALE: 1:1			
B	21-JUL-2022	Add Plated Option	LUCY	APPROVAL:	SHEET: 1/2			
A	30-DEC-2015		MEI	RORY	PROJECTION:	PART NO:	FPC0502XXD5XX	
REV	DATE	FILE	BY					



For Reel width (dimension W)16,24mm, Single row hole



For Reel width (dimension W)32,44,56mm, Double rows hole



Note:

- 1.All dimensions meet EIA-481-3 requirements.
- 2.Material: Black Conductive Polystyrene Alloy 100% recyclable.
- 3.Thickness: 0.30±0.05mm
- 4.Component load per 13" reel:2000Pcs.
- 5.Carton Size:350\*350\*320(mm)

Pin No	W	F	Pcs/R	R/CTN	Pcs/CTN
04-06	16	7.5	2000	14	28000
07-21	24	11.5	2000	10	20000
22-30	32	14.2	2000	8	16000
31-55	44	20.2	2000	6	12000
56-60	56	26.1	2000	5	10000

RoHS Compliant

F				DRAWN: MEI	GENERAL TOLERANCE: .X=±0.20 .XX=±0.10	ON-SHORE TECHNOLOGY, INC.	DESCRIPTION: 0.5mm FPC Connector Bottom Contact Type Packing List	SIZE
E								
D				CHECKED: JERRY	UNIT: MM	PART NO: FPC0502XXD5XX	SIZE	
C	02-NOV-2022	Modify P/N	LUCY		SCALE:			
B	21-JUL-2022	Add Plated Option	LUCY	APPROVAL: RORY	SHEET: 2/2		SIZE	
A	30-DEC-2015		MEI		PROJECTION:			
REV	DATE	FILE	BY					