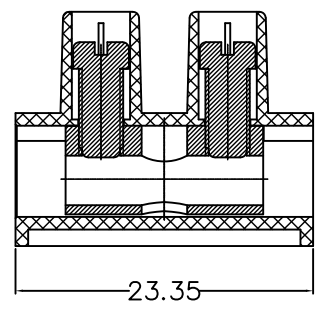
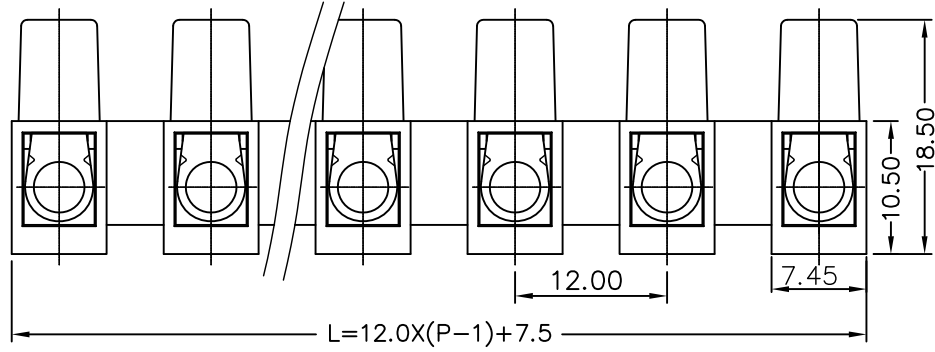




SIGN	DATE	DESCRIPTION	APPROVER
△	07.26.2012	Added mounting hole diameter	
THIS IS CAD DRAWING, DO NOT REVISE MANUALLY!!!			

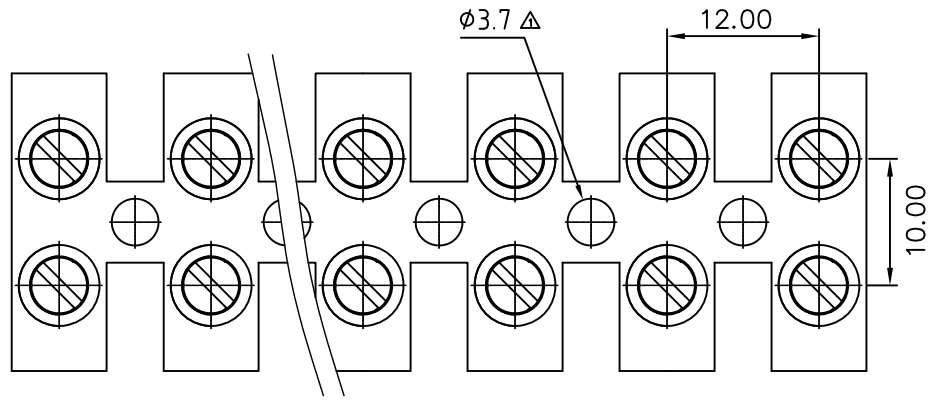


NOTES:

1. Rating: 300V 30A(UL)
2. Insulation Withstanding Voltage: AC2000V/MIN
3. Insulation Resistance: $\geq 500\Omega$ or more at DC500V
4. Temperature Range: $-33^{\circ}\text{C}/+105^{\circ}\text{C}$
5. Screw Torque Value: 7.0 lbf-in(UL)
6. Wire Range: 10-20AWG
8. Housing: Nylon PA66, UL-94V0
9. Screw M3.5, Steel, Zinc Plated
10. Standard Color: Natural

Agency Approvals:  

RoHS Compliant



DIM	P	2	3	4	5	6	7	8	9	10	11	12
L		19.5	31.5	43.5	55.5	67.5	79.5	91.5	103.5	115.5	127.5	139.5
TOL(±)		0.08	0.12	0.16	0.20	0.24	0.28	0.32	0.36	0.40	0.44	0.48

THESE DRAWINGS AND SPECIFICATIONS ARE THE PROPERTY OF ON-SHORE TECHNOLOGY, INC. AND SHALL NOT BE REPRODUCED, COPIED OR USED IN ANY MANNER WITHOUT THE PRIOR WRITTEN CONSENT OF ON-SHORE TECHNOLOGY, INC.



TITLE		ES1200 Series - 12.0mm Euro Strip, flat base	
PART NO.	ES1200/XXFB (xx - number of poles per row)	DWG NO.	ES1200/XXFB.DWG
APPROVED	CHECKED	DESIGNED	DRAWN
KSZ 2007.08.01	KSZ 2007.08.01	KSZ 2007.08.01	KSZ 2007.08.01
		5020	
		Tolerance	
		UNIT: mm	
		SCALE: NONE	
		.X ±015	
		.XX ±0.075	
		.XXX ±0.05	
SHEET: 01/01		REV: A	