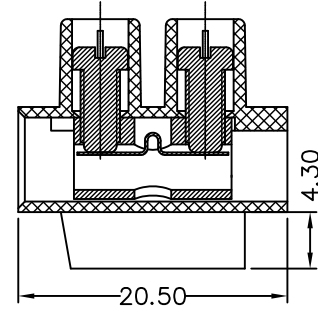
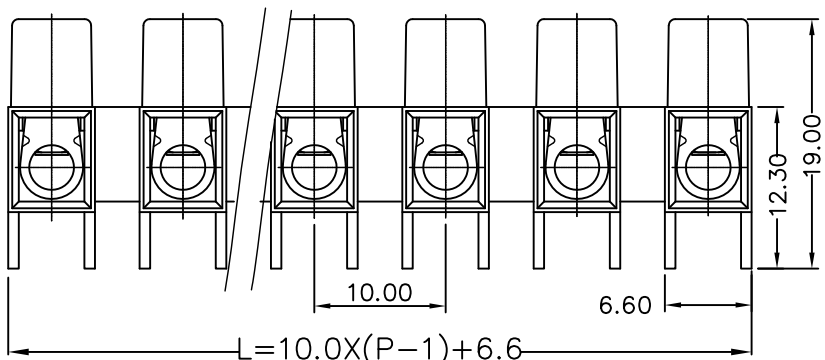


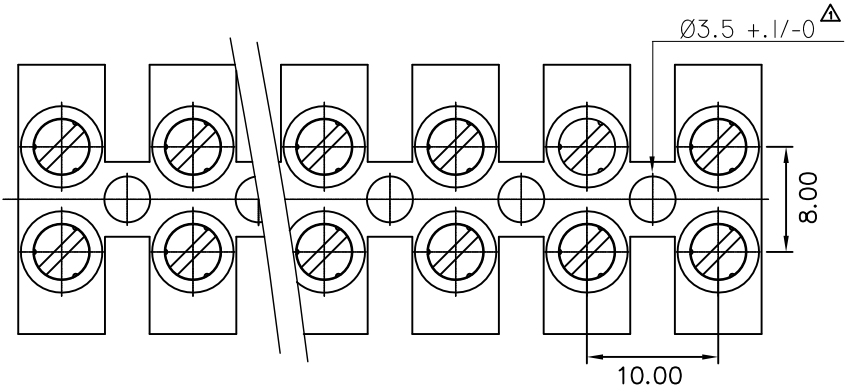
SIGN	DATE	DESCRIPTION	APPROVER
△	01/10/2012	Added the Diameter for mounting hole	
THIS IS CAD DRAWING, DO NOT REVISE MANUALLY!!!			



- NOTES:
1. Rating: 300V 20A(UL)
 2. Insulation Withstanding Voltage: AC2000V/MIN
 3. Insulation Resistance: $\geq 500M\Omega$ or more at DC500V
 4. Temperature Range: $-33^{\circ}C/+105^{\circ}C$
 5. Screw Torque Value: 4.5 lbf-in(UL)
 6. Wire Range: 12-20AWG
 8. Housing: Nylon PA66 (UL-94V0)
 9. Screw M3, Steel, Zinc Plated
 10. Standard Color: Natural
 11. Wire Protector Material: Stainless Steel without plating
 12. Terminal: Brass with Ni plating

Agency Approvals:

RoHS Compliant



DIM	P	2	3	4	5	6	7	8	9	10	11	12
L		16.6	26.6	36.6	46.6	56.6	66.6	76.6	86.6	96.6	106.6	116.6
TOL (±)		0.08	0.12	0.16	0.20	0.24	0.28	0.32	0.36	0.40	0.44	0.48

THESE DRAWINGS AND SPECIFICATIONS ARE THE PROPERTY OF ON-SHORE TECHNOLOGY, INC. AND SHALL NOT BE REPRODUCED, COPIED OR USED IN ANY MANNER WITHOUT THE PRIOR WRITTEN CONSENT OF ON-SHORE TECHNOLOGY, INC.



TITLE		ES1000 Series - 10.0mm Euro Strip, Wire guard, high base					
PART NO.		ES1000/XXDS(XX - number of poles per row)			DWG NO. ES1000/XXDS.DWG		
APPROVED		CHECKED	DESIGNED	DRAWN	5020		Tolerance
KSZ 2007.08.01		KSZ 2007.08.01	KSZ 2007.08.01	KSZ 2007.08.01			UNIT: mm
							SCALE: NONE
						SHEET: 01/01	REV: A
						.X ±0.15 .XX ±0.075 .XXX ±0.05	