



SIGN	DATE	DESCRIPTION	APPROVER

*THIS IS CAD DRAWING, DO NOT REVISE MANUALLY!!!*

**Material**

- Terminal body  
(metal housing): Brass(CuZn)
- Terminal screw: Steel Zinc plating "-" slot type
- Wire guard: PhBz ,Tin plated
- Insulator (housing): Thermoplastic (UL94V-0)

**Electrical cULus / VDE**

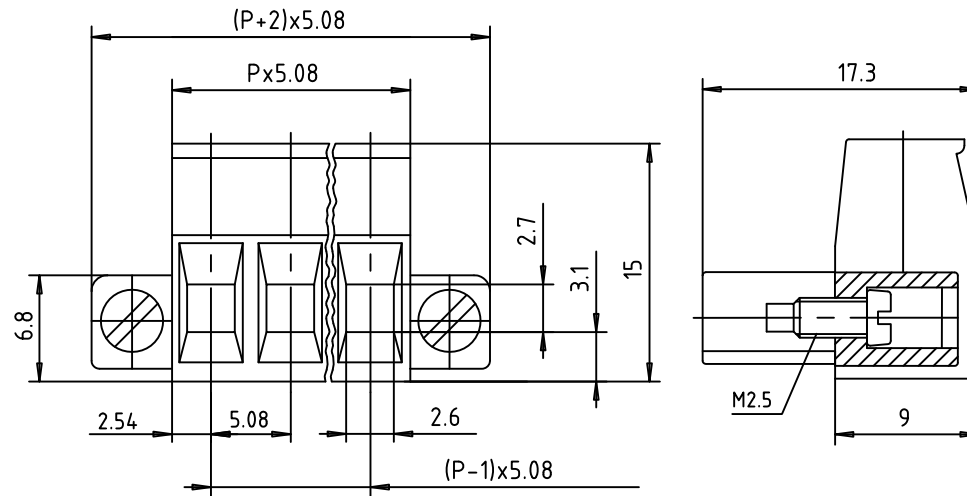
- Voltage rating: 300V/250V
- Current rating: 15A/12A
- Wire range:  
Solid wire(AWG): 12-22/2.5mm<sup>2</sup>  
Stranded wire(AWG): 12-22/2.5mm<sup>2</sup>
- Torque: 5Lb-In/0.5N.m
- Screw: M3
- Wire strip length: 7-8mm
- Withstanding Voltage: 1.6KV/2.5KV
- Operating temperature: -30°C to +105°C
- Safety Approval:  

RoHS Compliant

PART NUMBER:

**EDZ951/XX**

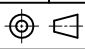
No. of Poles  
 02 2 Poles  
 03 3 Poles  
 ... ..  
 10 10 Poles



P=poles



THESE DRAWINGS AND SPECIFICATIONS ARE THE PROPERTY OF ON-SHORE TECHNOLOGY, INC. AND SHALL NOT BE REPRODUCED, COPIED OR USED IN ANY MANNER WITHOUT THE PRIOR WRITTEN CONSENT OF ON-SHORE TECHNOLOGY, INC.

TITLE		EDZ951 - 5.08mm Series with flanges				
PART NO.	EDZ951/XX	DWG NO.	EDZ951/XX.DWG			
APPROVED	CHECKED	DESIGNED	DRAWN	CUST NO.	Tolerance	
Shi Jun 2006.10.23	Marvin 2006.10.23	Marvin 2006.10.23	Marvin 2006.10.23	 UNIT: mm SCALE: NONE SHEET: 01/01 REV: E	X. ±0.50	
					X.X ±0.30	
					X.XX ±0.10	
					X° ±1°	