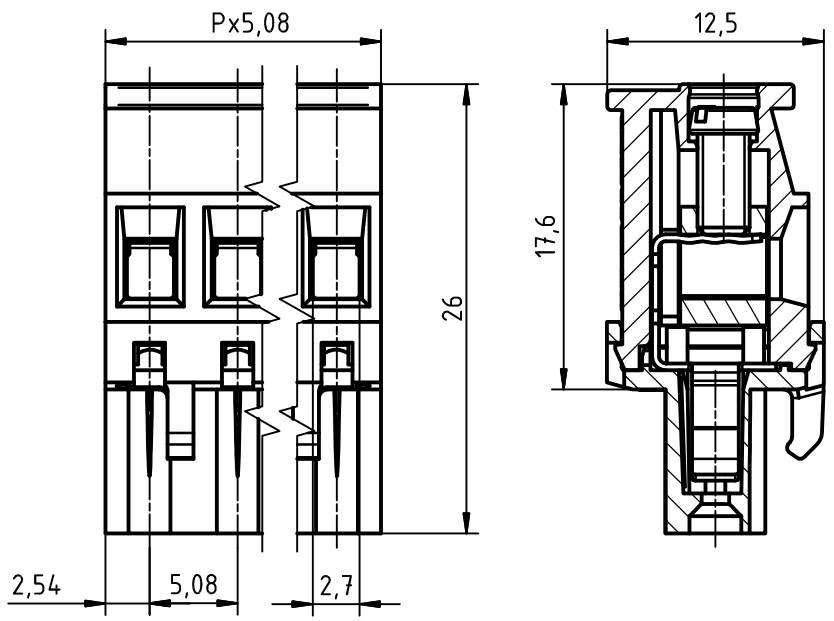


Transfer or duplication of this document as well as the utilisation or communication of its content are not permitted unless express consent is granted. Violations give rise to claims for damages. All rights reserved in case of patent, utility model or design patent registrations.



**Ratings**

Use Group	B	D
Rated Voltage	300V	300V
Rated Current	15A	10A
Rated Wire Size		
solid	AWG 22-10	AWG 22-10
flexible	AWG 22-10	AWG 22-10

Screw Size

M3

**Insulating Material**

Material	PA 6.6
Flammability Class	UL 94 V-0

**Materials**

Clamp	Brass
Screw	Steel
Solder Tag	Bronze
Temperature Range	-40° C ~ 105° C

RoHS Compliant

Part No.: **EDZ1100/XX**

↓

No. of Poles	
02	2 Poles
03	3 Poles
...	...
20	20 Poles

DWG	WF. Zhang	DATE	2017.09.11	UNITS:	MM	SHEET:	1 OF 1	Tolerance	
CHK.	WF. Zhang	DATE	2017.09.11	SCALE:	NONE 5:1 (:)	REV:	A	X.	±0.50
APP.		DATE		TITLE:	EDZ1100 series 5.08 mm			X.XX	±0.30
				PART NO.	EDZ1100/XX			X°	±1°
				DWG NO.	EDZ1100/XX.DWG				

△				
SIGN	DESCRIPTION	CHK.	DATE	ON-SHORE TECHNOLOGY, INC.

