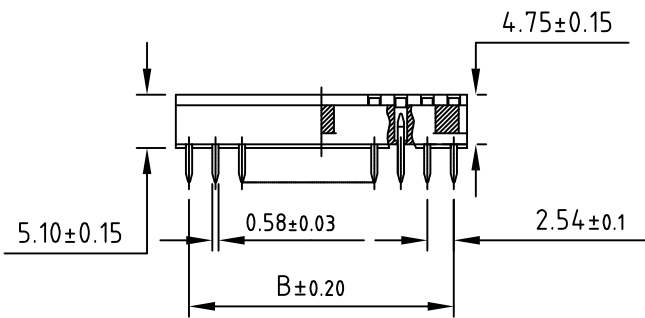


MATERIAL :
 Contact :
 Phosphor Bronze thickness 0.15mm
 Plating :
 Contact Plating, Tin plated 60u"-80u"
 (Lead free plating)
 Insulator :
 PBT-4830 , UL 94V-0

SPECIFICATIONS:
 Current Rating : 1A
 Dielectric withstanding Voltage : 1000v RMS/minute
 Insulator resistance : 5000 Megohms min.
 Contact resistance : 20 milliohms initial
 30 milliohms after test.
 Operating temperatures : -25°C to 85°C
 Insertion force : 340g(12 oz) max.per contact.
 Withdrawal force : 80g(2.82 oz) min.per contact

RoHS Compliant



PCB LAYOUT

Part Number

EDXXXDT
 -W (for open frame on 24, 28, 32, 40, 42 & 48)
 # of contacts
 06 - 6 contacts
 08 - 8 contacts
 14 - 14 contacts
 etc.
 48 - 48 contacts

PART NO	CKT	A±0.20	B±0.20	C±0.20	D±0.20
ED06DT	6	7.62	5.08	10.16	7.62
ED08DT	8	10.16	7.62		
ED14DT	14	17.78	15.24		
ED16DT	16	20.32	17.78		
ED18DT	18	22.86	20.32		
ED20DT	20	25.40	22.86		
ED241DT	24	30.48	27.94		
ED281DT	28	35.56	33.02		

PART NO	CKT	A±0.20	B±0.20	C±0.20	D±0.20
ED24DT	24	30.48	27.94	17.78	15.24
ED28DT	28	35.56	33.02		
ED32DT	32	40.64	38.10		
ED40DT	40	50.80	48.26		
ED42DT	42	53.34	50.80		
ED48DT	48	60.96	58.42		

THESE DRAWINGS AND SPECIFICATIONS ARE THE PROPERTY OF ON-SHORE TECHNOLOGY, INC. AND SHALL NOT BE REPRODUCED, COPIED OR USED IN ANY MANNER WITHOUT THE PRIOR WRITTEN CONSENT OF ON-SHORE TECHNOLOGY, INC.



TITLE		2.54mm Dual in Line IC Stamped Socket			
PART NO.		EDXXXDT		DWG NO. EDXXXDT.DWG	
APPROVED	CHECKED	DESIGNED	DRAWN	CUST NO.	
		Tony 2006.02.07	Tony 2006.02.07		
				Tolerance	
				X.	±0.50
				X.X	±0.30
				X.XX	±0.10
				X°	±1°
SHEET: 01/01				REV: D	