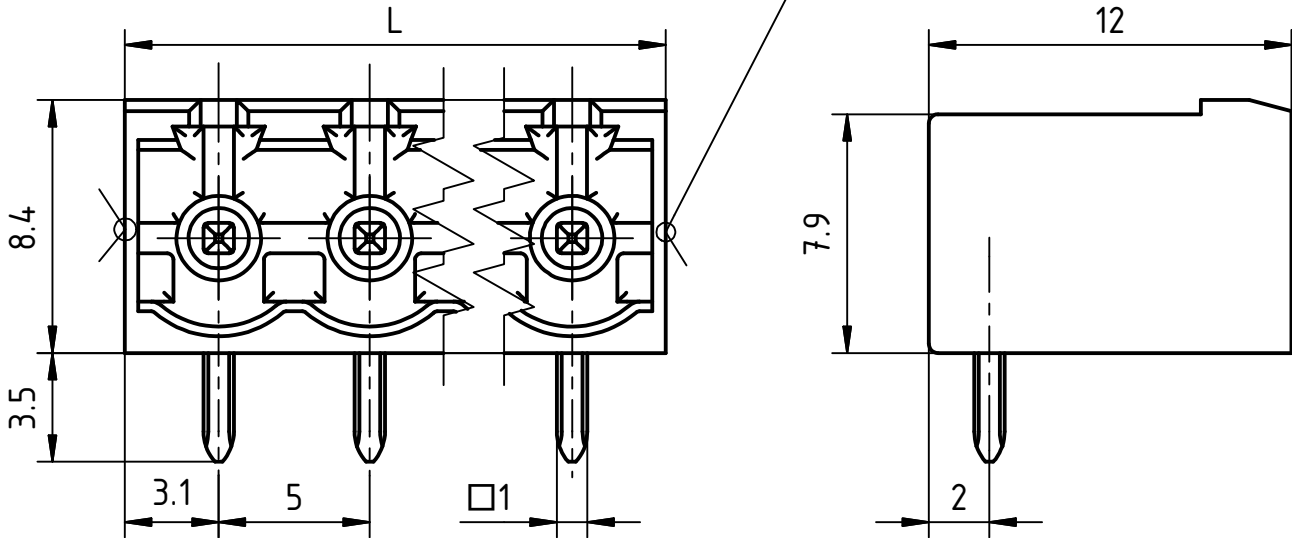
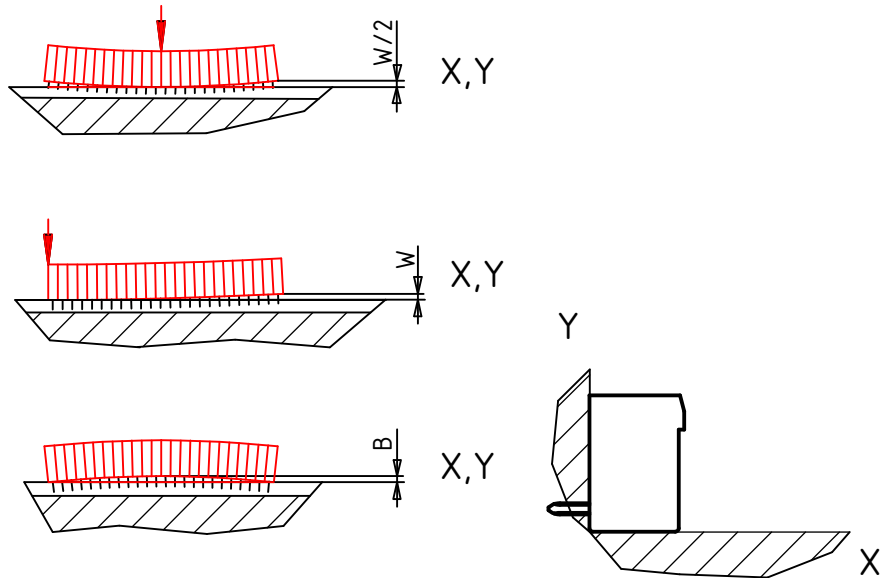


Checkpoint for dimension L



EDSTL950/3	16.2	$\pm 0.20$	$\pm 0.4$	<0.1
EDSTL950/2	11.2	$\pm 0.15$	$\pm 0.4$	<0.1
Article	L	Tolerance standard climate	Tolerance differ from standard climate	W,B standard climate



general tolerance

X,	$\pm 0.5$
X,X	$\pm 0.3$
X,XX	$\pm 0.1$
X°	$\pm 1^\circ$

Dimensions related to standard climate in accordance with ISO 291-23/50 class 2

Corr.-Ind.	Corr. No.	Date	Name
------------	-----------	------	------

Name	Datum/Date	Material
gez. draw. S.Grobe	25.02.2020	
gepr. insp.		

Finish
--------



Scale	Title	Part No.
	5.0mm r/a Header	EDSTL950/XX
AGen.Tolerances	All rights reserved	Page 1
		of 1
		Project No.