

SIGN	DATE	DESCRIPTION	APPROVER
		<i>THIS IS CAD DRAWING, DO NOT REVISE MANUALLY!!!</i>	

**SPECIFICATIONS**

Current: 3A  
Voltage: 250V AC(r.m.s.)  
Temperature Range: -40°C ~ +105°C  
Contact Resistance: <20mΩ  
Insulation Resistance: >1000MΩ  
Withstanding Voltage: 1000V AC/minute  
Material: Glass Filled Polyester  
Contact: Phosphor Bronze  
Flammability: UL 94V-0

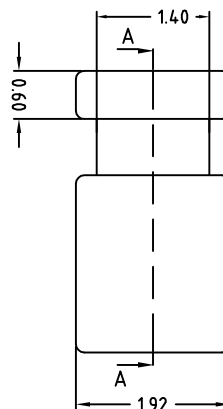
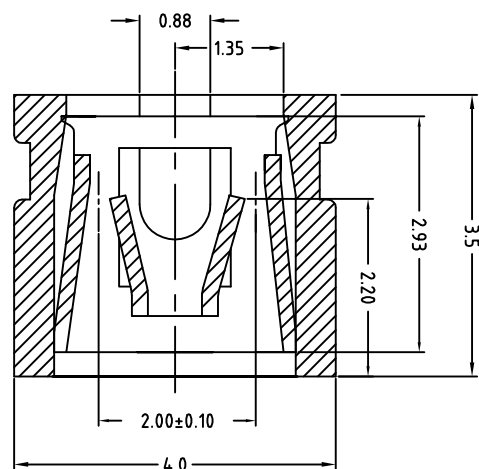
RoHS Compliant

**PART NUMBER:**

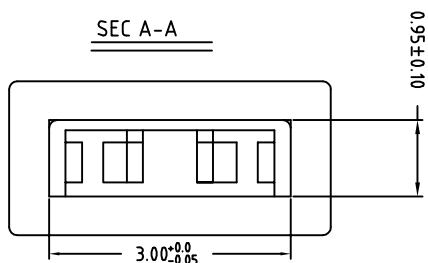
**EDJ5XX**

**COLOR**  
0 - Black  
1 - Red  
3 - Blue  
other colors available, may require MOQ

**G - Gold Flash (STD)**  
**Z - Tin (may require MOQ)**



**SEC A-A**



THESE DRAWINGS AND SPECIFICATIONS ARE THE PROPERTY OF ON-SHORE TECHNOLOGY, INC. AND SHALL NOT BE REPRODUCED, COPIED OR USED IN ANY MANNER WITHOUT THE PRIOR WRITTEN CONSENT OF ON-SHORE TECHNOLOGY, INC.



TITLE		EDJ5 Series - 2.00mm shunt/jumper			DWG NO.		EDJ5XX.DWG	
PART NO.		EDJ5XX			4050		Tolerance	
APPROVED	CHECKED	DESIGNED	DRAWN					
	Sandy 2002.08.10	Marvin 2002.08.10	Marvin 2002.08.10					
						UNIT: mm	X.X ±0.30/012	
						SCALE: NONE	X.XX ±0.20/008	
				SHEET: 01/01		REV.: A	X.XXX ±0.10/004	
							X* ±1*	