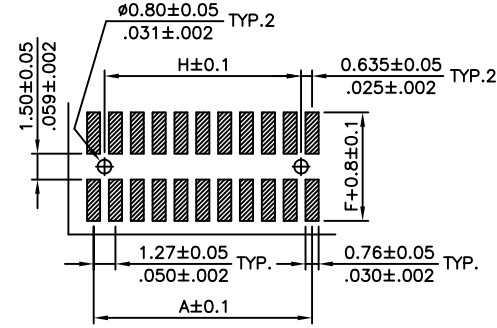
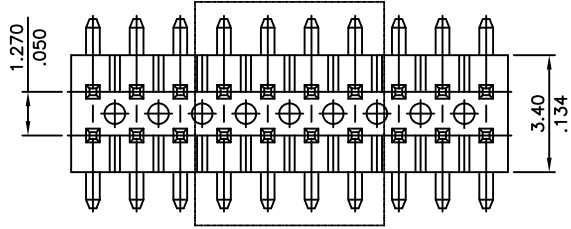
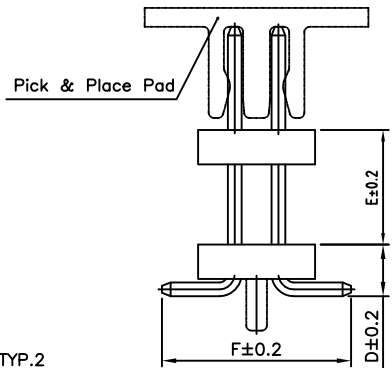
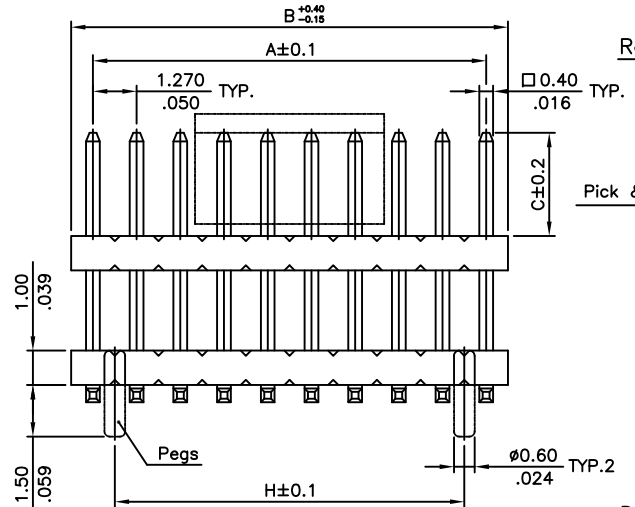


SIGN	DATE	DESCRIPTION	APPROVER
		THIS IS CAD DRAWING, DO NOT REVISE MANUALLY!!!	



Recommended P.C. Board Layout



DIM. A = 1.27 X No. of Spaces
 DIM. B = DIM. A + 1.27
 DIM. H = DIM. A - 1.27
 * Available in 06 through 60 Circuits

- Material:
- Insulator: LCP with 30% GF, Black, UL94V-0
 - Pick & Place Pad: Nylon 6T, Nature, UL94V-0
 - Pegs: Brass, Tin plated
 - Pin: Brass

- Electrical:
- Current: 1A
 - Voltage: 250V AC(r.m.s.)
 - Insulation Resistance: 1000 M Ω min
 - Contact Resistance: 20m Ω Max
 - Dielectric Voltage: 600VAC/minute
 - Operating Temperature: -40°C ~ +105°C
- RoHS Compliant
Halogen Free

Part Number

OPTION CODE
SEE CHART
(leave blank for standard)

Packaging
leave blank = Tube (standard)
TP= Tube w/pick up pad
TP= Tube w/out pick up pad
RP= Tape/Reel w/pick up pad

DP1272SXXX XXX

of circuits

PLATING:
1: Gold flash/Nickel (50u") (STD)
2: Gold (15u")/Nickel (50u")
3: Gold (30u")/Nickel (50u")
non STD may require MOQ

Add P at end of part number
for placement peg option

Option Code	Dimension				STANDARD
	C	D	E	F	
0	3.8(.118)	1.50(.059)	6.0(.236)	5.50(.216)	
1					
2					
3					

Contact OST for more options, MOQs may apply

THESE DRAWINGS AND SPECIFICATIONS ARE THE PROPERTY OF ON-SHORE TECHNOLOGY, INC. AND SHALL NOT BE REPRODUCED, COPIED OR USED IN ANY MANNER WITHOUT THE PRIOR WRITTEN CONSENT OF ON-SHORE TECHNOLOGY, INC.

OST ON-SHORE TECHNOLOGY, INC.

TITLE	DP1272S Series, 1.27mm SMT, Dual Row stacked header, vertical			
PART NO.	DP1272SXXXXXX	DWG NO.	DP1272SXXXXXX.DWG	
APPROVED	CHECKED	DESIGNED	DRAWN	4050
		Bill 2013.03.06	Lee 2013.03.06	Tolerance
				XX ±0.25/.010 X.XX ±0.15/.006 X.XXX ±0.08/.003 *
				UNIT: mm/inches SCALE: NONE SHEET: 01/01 REV.: A