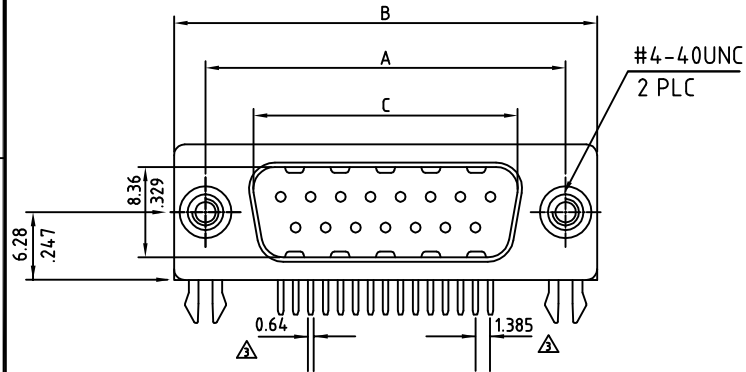


SIGN	DATE	DESCRIPTION	APPROVER
△	2013.04.13	Dimension A updated	Lee
△	2013.04.13	UL94V-0 added	Lee
△	2013.05.23	Pin dimensions added	Lee
△	2013.07.06	Pin dia dimension added	Lee



Circuits	Dimension		
	A	B	C
09	25.00(1.984)	30.81(1.213)	16.92(.666)
15	33.32(1.312)	39.2(1.543)	25.25(.994)
25	47.04(1.852)	53.1(2.091)	38.96(1.534)
37	63.50(2.500)	69.4(2.732)	55.42(2.182)

ELECTRICAL CHARACTERISTICS

Current Rating: 3A
Voltage Rating: 250 V AC(r.m.s.)
Dielectric Withstanding Voltage: 500VAC/minute
Insulation Resistance: >1000Megohms @ 500VDC
Contact Resistance: <25Milliohms
Operation Temperature: -55°C to +105°C
Solderability: 260°C for 5 seconds

Materials

Contacts: Copper Alloy
△ Insulator: PBT, UL94V-0
Shell: SPCC, Tin plated

RoHS Compliant

Part Number

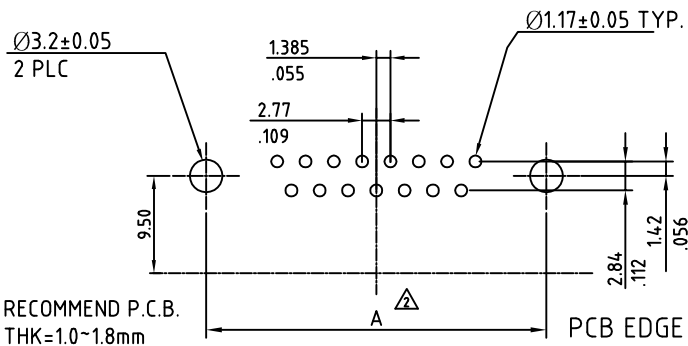
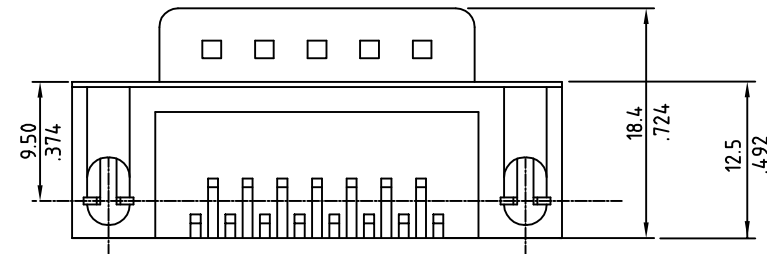
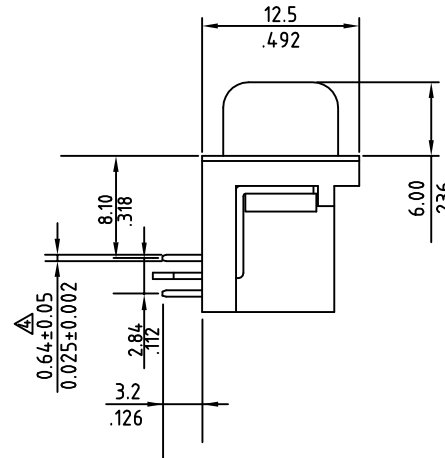
Mounting options

- A-4-40 Jack screws assembled
- B-Board Locks
- F-Ferrite
- G-Grounding Straps
- H - High Temp plastic
- J-4-40 Jack Screws (bulk packed)
- R=Riveted 4-40 Jack screws
- T-Threaded Inserts

DMR-XXPX-(see options)

of circuits
09, 15, 25, 37

PLATING
1= Full Gold Flash/Nickel (STD)
6= Selective Gold flash/Nickel
7 = Selective 15u" Gold/Nickel
8 = Selective 30u" Gold/Nickel
NON-STD may require MOQ



RECOMMEND P.C.B.
THK=1.0~1.8mm

THESE DRAWINGS AND SPECIFICATIONS ARE THE PROPERTY OF ON-SHORE TECHNOLOGY, INC. AND SHALL NOT BE REPRODUCED, COPIED OR USED IN ANY MANNER WITHOUT THE PRIOR WRITTEN CONSENT OF ON-SHORE TECHNOLOGY, INC.



TITLE		DMR Series - Mate/Plug, .318 footprint			
PART NO.	DMR-XXPX	DWG NO.	DMR-XXPX.DWG		
APPROVED		CHECKED		DESIGNED	
Billy 2012.08.10	Johnn 2012.08.10	Tony 2012.08.10	Steven 2012.08.10	1200	
				Tolerance	
					.X ±0.30/.012
					.XX ±0.20/.008
					.XXX ±0.10/.004
					REV.: A

UNIT: mm/in
SCALE: NONE
SHEET: 01/01
REV.: A