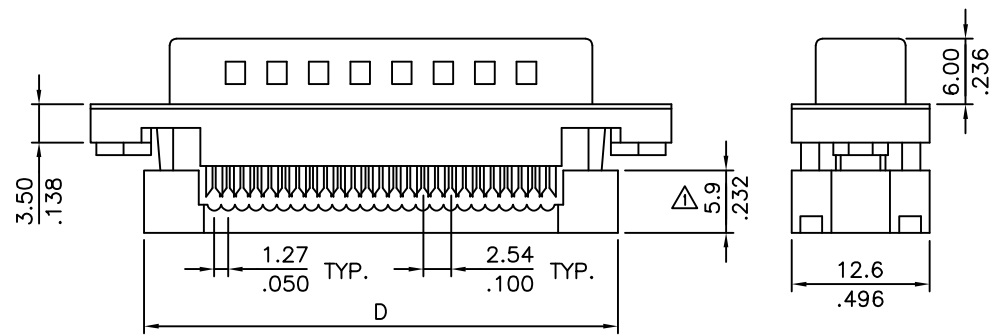


Product Specification
 Material
 Insulator : Glass-Filled Polyester, UL94V-0
 Contact : Phosphor Bronze
 Shell : Steel, Tin Plated
 Plating: Selective Flash gold

Electrical
 Contact Resistance : < 20 milliohms
 Insulation Resistance : >1000 Megaohms at 500 VDC
 Dielectric Withstanding Voltage :1000 VAC/rms 60Hz for 1 minute
 Current Rating : 1 A
 Voltage Rating : 250 VAC/rms 60Hz

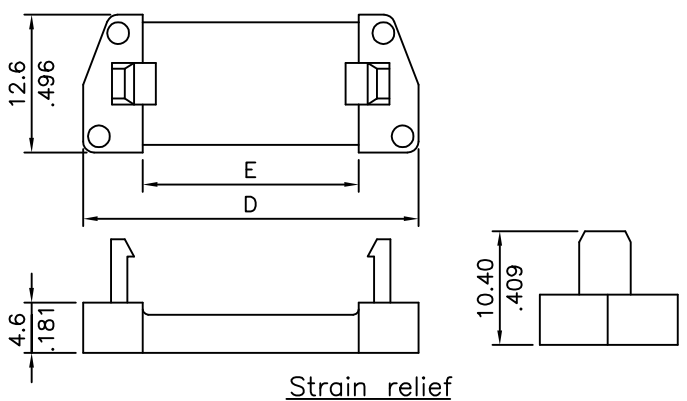
RoHS Compliant



Part Number

DML-XXP6-T

of positions
 09, 15, 25, 37



Strain relief

Circuits	Dimension				
	A	B	C	D	E
9	25.00(.984)	30.8(1.213)	16.92(.666)	22.4(.882)	12.08(.476)
15	33.30(1.311)	39.2(1.543)	25.25(.994)	30.8(1.213)	19.70(.776)
25	47.10(1.854)	53.1(2.091)	38.96(1.534)	44.5(1.752)	32.40(1.276)
37	63.50(2.500)	69.4(2.732)	55.42(2.182)	61.4(2.417)	47.72(1.879)



THESE DRAWINGS AND SPECIFICATIONS ARE THE PROPERTY OF ON-SHORE TECHNOLOGY, INC. AND SHALL NOT BE REPRODUCED, COPIED OR USED IN ANY MANNER WITHOUT THE PRIOR WRITTEN CONSENT OF ON-SHORE TECHNOLOGY, INC.

TITLE		DML Series - D-sub, IDC Male, Threaded Inserts				
PART NO.	DML-XXP6-T	DWG NO.	DML-XXP6-T.DWG			
APPROVED	CHECKED	DESIGNED	DRAWN	4050		Tolerance
Billy 2016.06.15	Johnn 2016.06.15	Tony 2016.06.15	Steven 2016.06.15			.X ±0.30 .XX ±0.20 .XXX ±0.10
SHEET: 01/01				REV.: A		