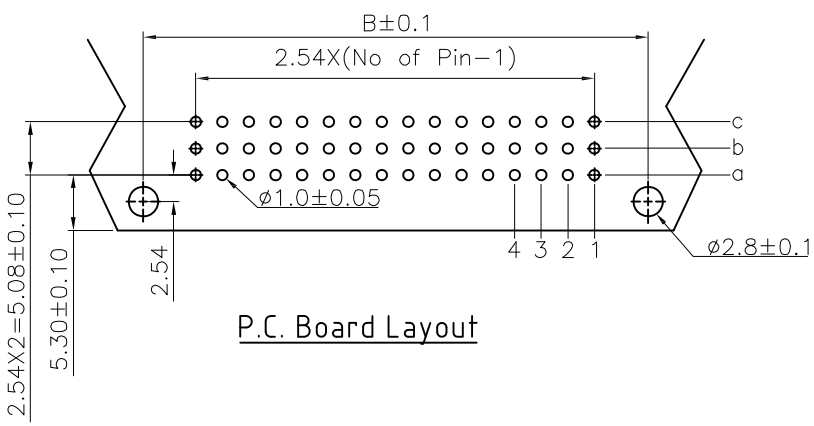
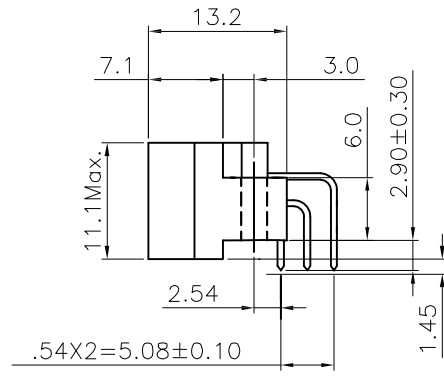
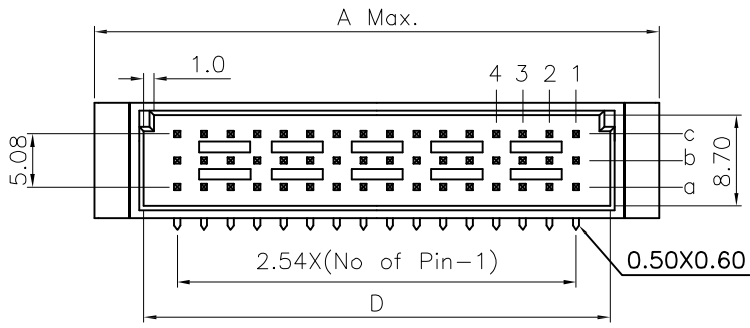
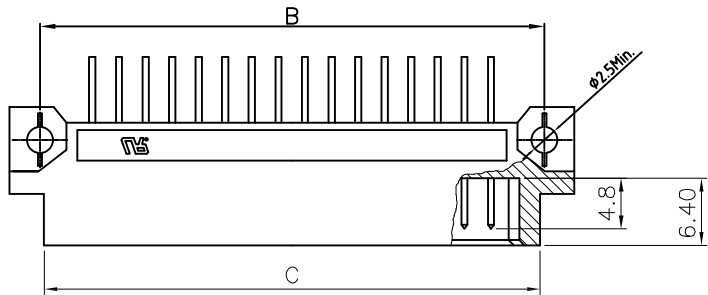


SIGN	DATE	DESCRIPTION	APPROVER
		<i>THIS IS CAD DRAWING, DO NOT REVISE MANUALLY!!!</i>	

Material:
Housing: 30% Glass Filled PBT UL94V-0
Contacts: Phosphor Bronze
Plating: Selective Flash Gold

Electrical Characteristics:
Current Rating: 2A
Dielectric Withstanding Voltage: AC 1000V For 1 minute
Insulator Resistance: 1000MΩ max. at DC 500V
Contact Resistance: 30MΩ max. at DC 100mA
Operating Temperature: -55°C~+105°C

ROHS Compliant



	a b c	48	2.54mm
	a - c	32	
Contact Arrangement	Row with Contacts	Position	Pitch



TITLE	DIN 41612, Type C, Male, Half						
PART NO.	DINC-HXXP6 (replace XX with contacts)	DWG NO.	DINC-HXXP6.DWG				
APPROVED	CHECKED	DESIGNED	DRAWN	CUST NO.	1200		Tolerance
Yumi	Yumi	Yumi	Yumi		UNIT: mm		X. ±0.5
2009.04.27	2009.04.27	2009.04.27	2009.04.27		SCALE: NONE		X.XX ±0.25
				SHEET: 01/01	REV: A		X.XX ±0.15

THESE DRAWINGS AND SPECIFICATIONS ARE THE PROPERTY OF ON-SHORE TECHNOLOGY, INC. AND SHALL NOT BE REPRODUCED, COPIED OR USED IN ANY MANNER WITHOUT THE PRIOR WRITTEN CONSENT OF ON-SHORE TECHNOLOGY, INC.