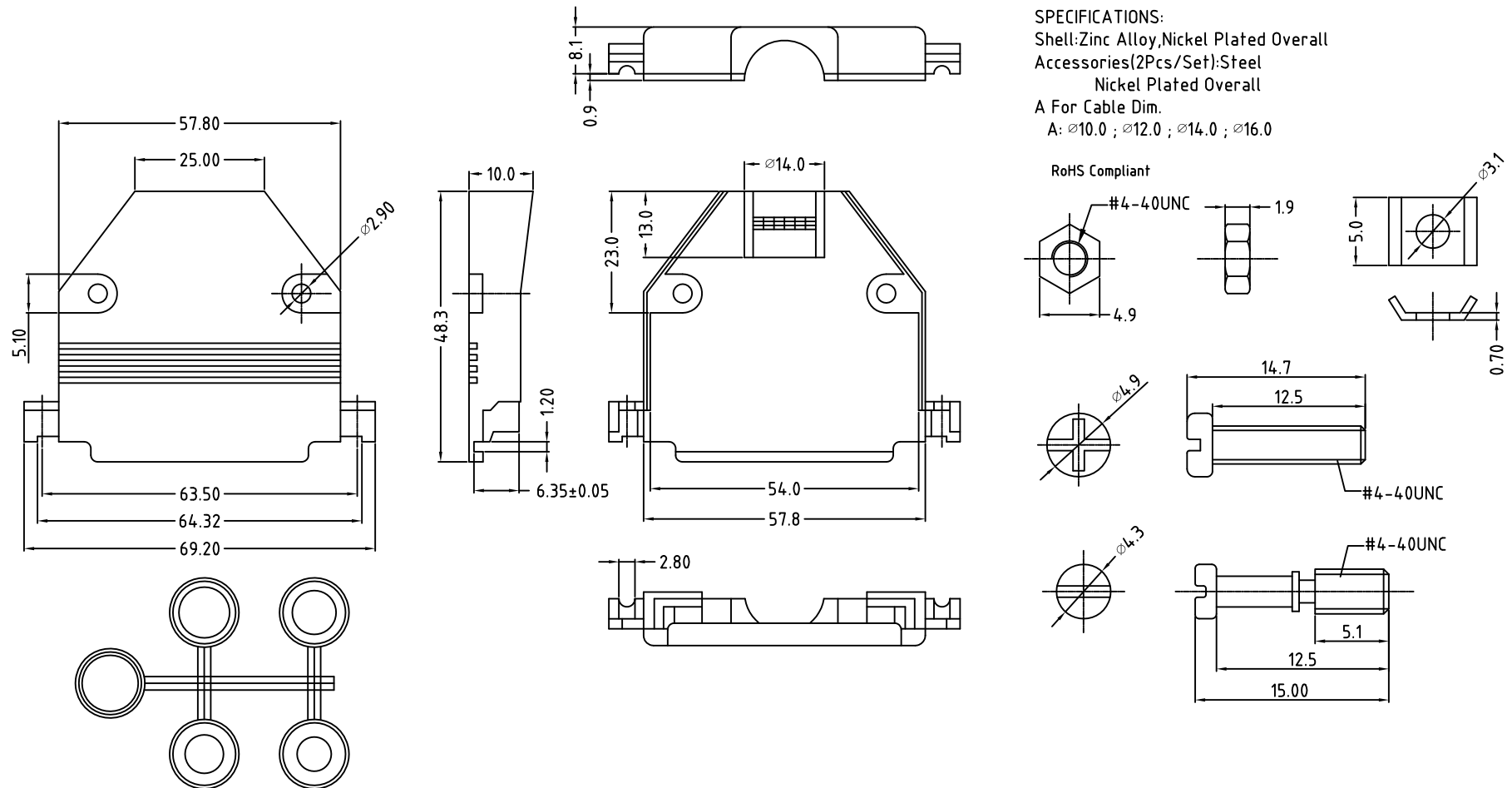


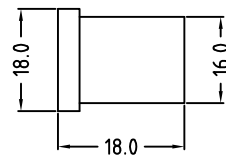
SIGN	DATE	DESCRIPTION	APPROVER
THIS IS CAD DRAWING, DO NOT REVISE MANUALLY!!!			

SPECIFICATIONS:
 Shell: Zinc Alloy, Nickel Plated Overall
 Accessories (2Pcs/Set): Steel
 Nickel Plated Overall
 A For Cable Dim.
 A: $\varnothing 10.0$; $\varnothing 12.0$; $\varnothing 14.0$; $\varnothing 16.0$

RoHS Compliant



OD: 9, 10.5, 13, 14.5



THESE DRAWINGS AND SPECIFICATIONS ARE THE PROPERTY OF ON-SHORE TECHNOLOGY, INC. AND SHALL NOT BE REPRODUCED, COPIED OR USED IN ANY MANNER WITHOUT THE PRIOR WRITTEN CONSENT OF ON-SHORE TECHNOLOGY, INC.



TITLE		DCM Series - Metalized Hood, 37 pin, short screw, grommets				
PART NO.	DCMG-37S	DWG NO.	DCMG-37S.DWG			
APPROVED	CHECKED	DESIGNED	DRAWN	1200		TOLERANCE
Shi Jun 2009.05.19	Marvin 2009.05.19	Marvin 2009.05.19	Marvin 2009.05.19			UNIT: mm SCALE: NONE X.X ±0.38 X.XX ±0.25
				SHEET: 01/01	REV: A	