

Ratings:

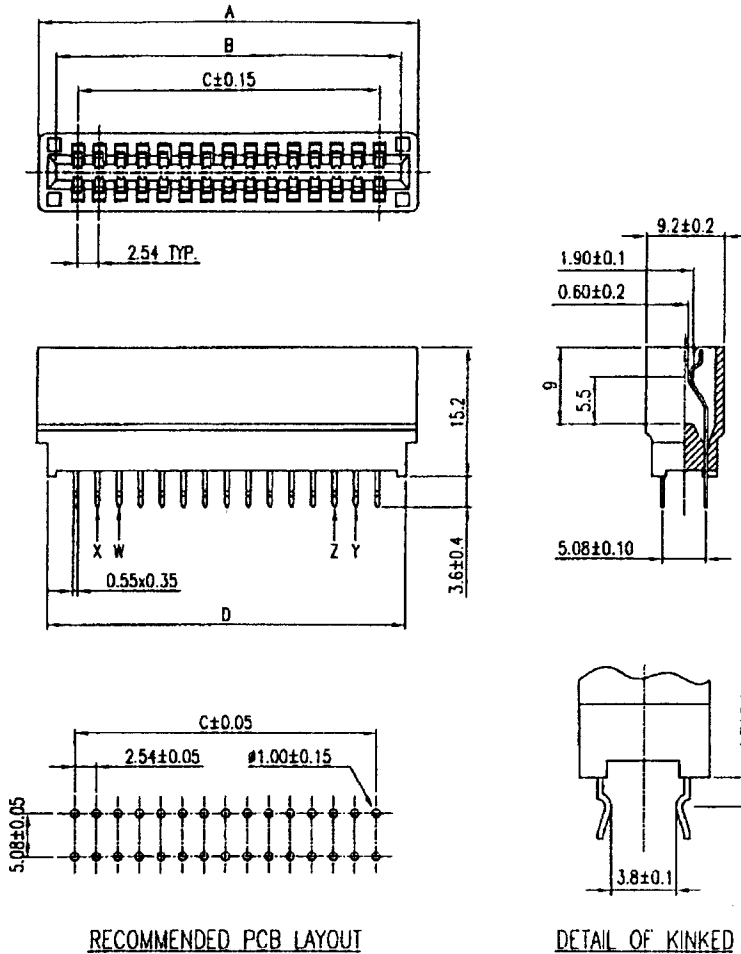
Current 3A
 Contact resistance 20mΩ max.
 Insulation resistance 5000MΩ min.
 Withstand voltage 1000V AC (RMS) for 1 minute
 Insertion force 340 grams min per contact pair
 Extraction force 28 grams max. per contact pair
 Temperature -55°C/+105°C
 Flammability UL94V-0

Materials:

Housing Glass-Reinforced Thermoplastic
 Contact Copper alloy

Plating:

Mating area Selective Gold over Nickel
 Solder area Tin/Lead over Nickel



2X39-118	156.46	152.40	147.32	133.82	NOYZ
2X58-118	153.82	149.86	144.78	151.36	NOYZ
2X57-114	151.38	147.32	142.24	148.84	NOYZ
2X56-112	148.84	144.78	139.70	146.30	NOYZ
2X55-110	146.30	142.24	137.18	143.76	NOYZ
2X54-108	143.76	139.70	134.62	141.22	NOYZ
2X53-106	141.22	137.18	132.08	138.68	NOYZ
2X51-102	138.14	132.08	127.00	133.60	NOYZ
2X50-100	133.60	129.54	124.46	131.06	NOYZ
2X48-98	128.52	124.46	119.38	125.98	NOYZ
2X47-94	125.98	121.92	116.84	123.44	NOYZ
2X46-92	123.44	119.38	114.30	120.90	NOYZ
2X45-90	120.90	116.84	111.76	118.36	NOYZ
2X44-88	118.36	114.30	109.22	115.82	NOYZ
2X43-86	115.82	111.76	106.68	113.28	NOYZ
2X42-84	113.28	109.22	104.14	110.74	NOYZ
2X41-82	110.74	106.68	101.60	108.20	NOYZ
2X40-80	108.20	104.14	99.06	105.66	NOYZ
2X39-78	105.66	101.60	96.52	103.12	NOYZ
2X38-76	103.12	99.06	93.98	100.58	NOYZ
2X37-74	100.58	96.52	91.44	98.04	NOYZ
2X36-72	98.04	93.98	88.90	95.50	NOYZ
2X35-70	95.50	91.44	86.36	92.96	NOYZ
2X34-68	92.96	88.90	83.82	90.42	NOYZ
2X33-66	90.42	86.36	81.28	87.88	NOYZ
2X32-64	87.88	83.82	78.74	85.34	NOYZ
2X29-58	80.26	76.20	71.12	77.72	XY
2X28-56	77.72	73.66	68.58	75.18	XY
2X27-54	75.18	71.12	66.04	72.64	XY
2X26-52	72.64	68.58	63.50	70.10	XY
2X25-50	70.10	66.04	60.96	67.56	XY
2X24-48	67.56	63.50	58.42	65.02	XY
2X23-46	65.02	60.96	55.88	62.48	XY
2X22-44	62.48	58.42	53.34	59.94	XY
2X21-42	59.94	55.88	50.80	57.40	XY
2X20-40	57.40	53.34	48.26	54.86	XY
2X19-36	54.86	50.80	45.72	52.32	XY
2X17-34	48.78	45.72	40.84	47.24	XY
2X16-32	47.24	43.18	38.10	44.70	XY
2X15-30	44.70	40.64	35.56	42.16	XY
2X14-28	42.16	38.10	33.02	39.62	XY
2X12-24	37.08	33.02	27.84	34.54	XY
2X11-22	34.54	30.48	25.40	32.00	XY
2X10-20	32.00	27.84	22.86	29.46	XY
2X8-18	29.46	25.40	20.32	26.92	---
2X6-16	26.92	22.86	17.78	24.38	---
2X7-14	24.38	20.32	15.24	21.84	---
2X5-12	21.84	17.78	12.70	19.30	---
2X5-10	19.30	15.24	10.16	16.76	---
2X4-8	16.76	12.70	7.62	14.22	---
2X3-6	14.22	10.16	5.08	11.68	---
NO OF POS	DM A	DM B	DM C	DM D	KINKED



Part Number
802-[*][*]6
 * - NUMBER OF POSITIONS

Units
 mm

Drawing

Reviewed

Approved

Date
 11/16/98
 Sheet 1 of 1
 Rev. A