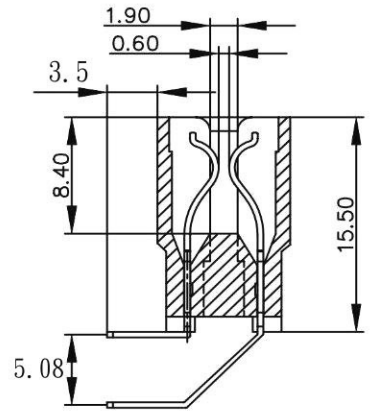
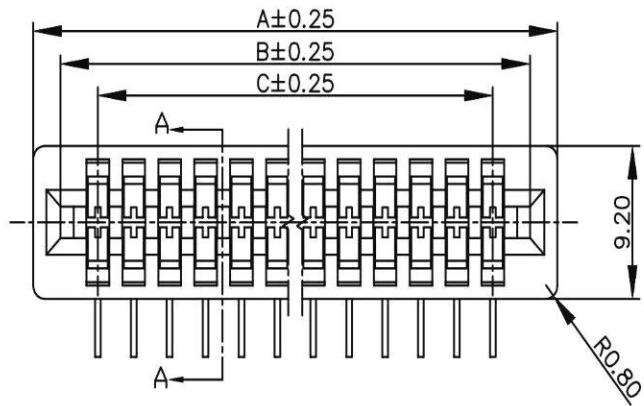


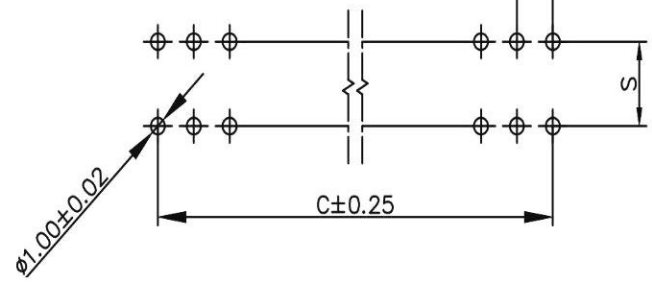
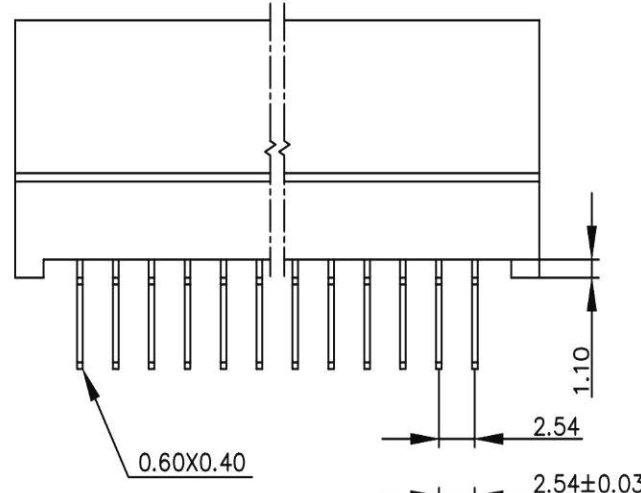
1 2 3 4 5 6 7 8

A
B
C
D
E
F
G
H

A
B
C
D
E
F
G
H



SEC: A-A



FEATURE:
 INSULATOR
 Glass-Filled PBT is 94V-0 rated
 CONTACT
 Phosphor Bronze selective gold plating over nickel

SPECIFICATION:
 Current Rating : 3 amperes
 Contact Resistance : 20 miniohms max.
 Operation Temperature : -55°c to +105°c
 Voltage Rating : 800 VAC 1 minute
 Insulation Resistance : 5000 megaohms min.
 Insertion Force : 412 grams max. per pair
 Withdrawal Force : 32 grams min. per pair

CONTACTS NO.	DIM A	DIM B	DIM C	CONTACTS NO.	DIM A	DIM B	DIM C
2/4	11.68	7.82	2.54	18/36	52.32	48.46	43.18
3/6	14.22	10.36	5.08	19/38	54.86	51.00	45.72
4/8	16.76	12.90	7.62	20/40	57.40	53.54	48.26
5/10	19.30	15.44	10.16	22/44	62.48	58.62	53.34
6/12	21.84	17.98	12.70	24/48	67.56	63.70	58.42
7/14	24.38	20.52	15.24	25/50	70.10	66.24	60.96
8/16	26.92	23.06	17.78	30/60	82.80	78.94	73.66
9/18	29.46	25.60	20.32	31/62	85.34	81.48	76.20
10/20	32.00	28.14	22.86	32/64	87.88	84.02	78.74
11/22	34.54	30.68	25.40	35/70	95.50	91.64	86.36
12/24	37.08	33.22	27.94	36/72	98.04	94.18	88.90
13/26	39.62	35.76	30.48	40/80	108.20	104.34	99.06
14/28	42.16	38.30	33.02	43/86	115.82	111.96	106.68
15/30	44.70	40.84	35.56	49/98	138.68	134.82	129.54
16/32	47.24	43.38	38.10	50/100	133.60	129.74	124.46
17/34	49.78	45.92	40.64	54/108	143.76	139.90	134.62

RoHS Compliant



APPD. 核准 BETTY	TOLERANCE X ± 0.10 Y ± 0.38 .XX ± 0.25	PART NAME 品名 2.54mm SLOT RIGHT ANGLE XXP W/O EAR W/O KINK PBT MATERIAL SOLDER LENGTH: 3.5mm SELECTIVE GOLD PLATING BLACK INSULATOR ROHS
DWG. 製圖 KAREN		
DATE 制表日 2012/10/19	SCALE 比例 參 考	PART NO. 802-XX6-R (replace XX with contacts)
	UNIT 單位 MM	
	PAGE 張數 1 OF 2	
	SIZE 紙張尺寸 A4	
	REV. 版本 B	

1 2 3 4 5 6 7 8